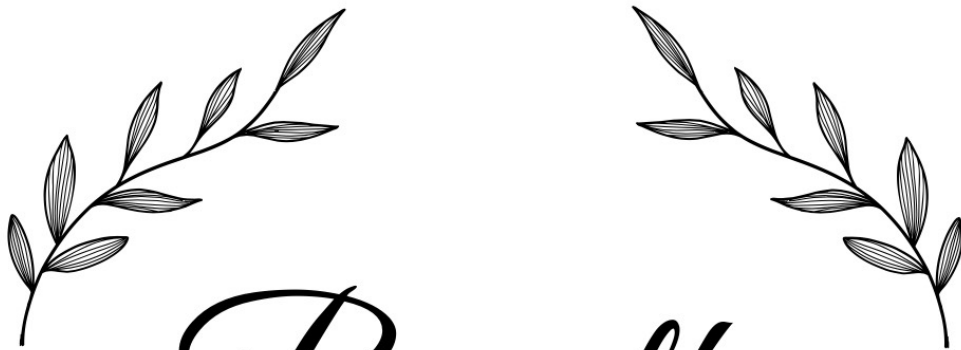


96TH ANNUAL BONALBO SHOW

17TH & 18TH APRIL 2026



*Bonalbo
Centenary
Show*

1926 - 2026

**BONALBO SHOWGROUNDS
MAIN RD, BONALBO**

www.bonalboshow.com.au

Bonalbo Show Society Inc

Honorary Life Members

Mrs Gillian Perrett, Mrs Joy Whitney, Mrs Margaret Vary,
Mr John Clarke, Mrs Dot Clarke,
Mr Donald Johnston, Mrs Elizabeth Johnston,
Mr Kevin Gambley, Mrs Lyn Gambley, Mr Walter Whitney

Paid Life Members

Ken and Jan Vary.

Office Bearers - 2026

| | | |
|---------------|---------------|-------------|
| President | Secretary | Treasurer |
| David Whitney | Michelle Malt | Todd Weston |
| 0427 707165 | 0438 103310 | |

Vice Presidents: James Fraser, Tom Amos, Owen Osborne

Committee Members - 2026

Darryl Amos, Jarrod Hodges, Donald Johnston,
Paul Johnston Snr, Clive Newton, Chris Whitney, Joy Whitney.

WORKING DOGS HORSES CATTLE
POULTRY PAVILION MINIATURE GOATS

LIVESTOCK DISPLAYS AND DEMONSTRATIONS
TRADE STALLS FREE ENTERTAINMENT
CHILDRENS ACTIVITIES
LUNCHEON PAVILION - BBQ

Showground PIC No: NA 122376

**NOTE: Any dog brought onto the showground
must be under strict control and will be
the responsibility of the owner**

President
David Whitney
"Wonga Park"
Old Bonalbo, 2469
0427 707165

Secretary
Michelle Malt
43 Murphys Rd
Old Bonalbo, 2469
0438 103310

www.bonalboshow.com.au
E: secretary@bonalboshow.com.au

PRESIDENTS MESSAGE

On behalf of the committee it is my pleasure to present the 96th Bonalbo Show as a salute to the agriculture and rural endeavours of our community. Each year we aim to provide an event for the local district that offers something of interest to everyone. Our show would not be possible without the support of our exhibitors, our hard-working volunteers, and our generous sponsors, and we extend our thanks to them for their continued involvement.

David Whitney

ANNUAL MEMBERSHIP: (Commences 1 April) \$ 5.00

ADMISSION CHARGES

| | | | |
|----------|----------|---------------------------------|------------|
| Friday | 17 April | | Free entry |
| Saturday | 18 April | Adults (over 18 years) | \$10.00 |
| | | Children under 12 years | Free entry |
| | | Children over 12 under 18 years | \$3.00 |
| | | Seniors Card Holders | \$5.00 |

PROGRAMME

| | | | |
|----------|----------|--|---------------------|
| Friday | 17 April | Dog trials | from 6.30 am |
| | | Pavilion judging | 10.30 am |
| Saturday | 18 April | Horse events. | Ring 1 from 8.00 am |
| | | Poultry judging | 8.30 am |
| | | Led cattle judging | 9.00 am |
| | | Bush pony classes | 9.00 am |
| | | Miniature Goat & Sheep judging | 9.00 am |
| | | Pen cattle judging | 9.30 am |
| | | Bonalbo Show Jumps | 9.30 am |
| | | Official Opening followed by Grand Parade | |
| | | Young Farmers Challenge | |
| | | Entertainment at the Bar from | 3.00pm |
| | | Pavilion closes | 3.00pm |
| | | Pavilion entries to be collected | 3.30-4.00pm |
| | | Show closes | 6.00pm |

Bonalbo Show YOUNG FARMERS CHALLENGE Competition

The Young Farmers Challenge competition is open to teams of four people, teams must have at least one representative from each gender.

The winning senior team will be eligible to compete in the Group final held later in the year. The challenge provides the opportunity for young farmers to demonstrate their expertise in a series of on-farm challenges showcasing the depth of knowledge and technical skills required in agriculture today. These challenges can be anything from animal handling to fencing, driving tractors, putting out fires, first aid, heavy lifting and transport challenges.

The event will be held near the Bar and BBQ following the Official Opening of the Show.

FREE ENTRY - get your team of 4 together now.

Prize Money: 1st place team - \$50; 2nd place team \$30; 3rd place team \$20.

Sponsored by MJS Tipping

For more information, event guidelines are available on the Bonalbo Show website (www.bonalboshow.com.au)

EXHIBITORS AND COMPETITORS GUIDE

Closing dates for entries will be strictly observed and no late entries will be accepted.

The judges' decision in all classes shall be final.

Entry details must be completed before competing.

Drug testing may be carried out at this Show. Any competitor found to have breached the ASC disputes and disciplinary regulations will be investigated by the ASC Disciplinary Committee.

The committee's decision in all matters of dispute shall be final.

Stallions cannot compete in riding and hack classes unless otherwise stated in the schedule.

RISK WARNING: Bonalbo Show as an affiliated member of the Agricultural Societies Council of New South Wales advises exhibitors and competitors in all sections that the participation, including passive participation, in events or activities at an agricultural show contains elements of risk, both obvious and inherent; and that they agree to participate entirely at their own risk and the Society is not responsible for any injury, damage or loss sustained by an exhibitor or competitor.

All competitors must complete and sign the waiver form (located on the Bonalbo Show website) and obtain a wristband prior to competing. Wristbands must be worn at all times or competitors will be asked to leave the competition area.

IMPORTANT: Please note that a competitor cannot submit a fillable PDF form to a Show Society via email. The forms are only valid when there is a physical signature present on it. The form must be printed, brought to the show and signed on the day.

PIC numbers: a Property Identification Code is mandatory for all properties carrying livestock. In accordance with ASC guidelines every exhibitor bringing livestock to the show will be required to list each animal being shown together with the PIC for the property from which it has come on the Waiver form before competing.

Health Status: Vaccination against the Hendra virus is not mandatory, however Bonalbo Show Society strongly supports the voluntary vaccination of horses. All exhibitors declare to the best of their knowledge that their horse is healthy and fit to be shown. A Horse Health Declaration form must be completed and submitted.

Electric Fences (Electrified Tape) for temporary enclosures for horses on Showgrounds: use of electric fencing is not permitted at the Bonalbo Show.

Interstate border crossing: competitors travelling from interstate to participate in events at Bonalbo Showgrounds are reminded that it is their obligation to comply with the relevant requirements for livestock movements and border crossings. Details available at <https://www.dpi.nsw.gov.au/biosecurity/managing-biosecurity>

**FRIDAY 17 April 2026
DOG TRIALS**

Entries Close Friday 10 April 2026

Entries limited to five per competitor.

No late entries will be accepted.

Dog owners need to be a full or day member of the NCWDA or an affiliated association.

Entries to Merlene Allen Ph 0447 653 202

CHIEF STEWARD Paul Johnston Ph (02) 6665 3101

Start time: 6.30 am

The Albert Waller Memorial Open Dog Trial

Entry \$15.00
Prize 1st – \$ 80.00
 2nd - \$50.00, 3rd - \$30.00, 4th - \$15.00, 5th \$15.00, 6th \$15.00

The Andy Snow Memorial Novice Dog Trial

Entry \$12.00
Prize 1st - \$40.00
 2nd - \$30.00, 3rd - \$20.00, 4th - \$10.00, 5th \$10.00, 6th \$10.00

Tom Short Memorial Maiden Dog Trial

Entry \$10.00
Prize 1st - \$40.00 plus trophy donated by the Short Family
 2nd - \$25.00, 3rd - \$20.00, 4th - \$15.00, 5th \$15.00, 6th \$10.00

The Maiden and Novice events are to be run in conjunction, and entries will be limited to five runs per competitor to ensure the program can be completed.

There will be a Maiden, Novice and Open Final.

HORSE SECTION – Regulations

All horse competitions at this show are governed by these regulations and by the AgShows NSW Rules for Discipline in Horse Sections at Shows which can be viewed at www.agshowsnsw.org.au. Should it become necessary for the AgShows NSW Disciplinary Committee to open an inquiry into any aspect of competition in this Horse Section, this Society will support any penalty imposed by that Committee as a result of the inquiry and will support penalties resulting from enquiries arising from Horse Sections at other NSW shows.

COMPETITION RULES

All Horse Competitions will be conducted under approved Peak Body and Breed Society Registration Rules and Regulations.

INDEMNITY AND WAIVER FORMS: The Horse Committee will take all care in managing the Section, but competitors taking part in this Horse Section do so at their own risk. Each adult competitor must, before competing, complete and sign a form indemnifying the Insert Name of Show Society and waiving any claims against the Society for any injury sustained in competition or for loss or damage to the competitor's property or damage caused by the competitor or his/her animal(s) at the Show. A similar form must also be completed and signed by a parent or guardian for each competitor who is under 18 years of age. ALSO, all competitors must complete a Horse Health Declaration, each horse with which the competitor has brought onto the Showgrounds must be listed together with the Property Identification Code (PIC) of the property from which the horse came to the Show. If the Show Society has introduced online entries, it is possible to electronically sign a Waiver and Horse Health Declaration (by ticking a box) at point of entry.

Under Saddle Age Limit: AgShows NSW recommends a lower age limit of 3 years of age (as at the date of the competition) for leading rein and 5 years of age for independent riding.

Refusal of Entry/Alteration of Schedule/Prizes: The committee reserves the right to refuse an entry without assigning any reason for doing so and to alter the schedule to meet emerging circumstances. The Society is not responsible for the non-delivery of sponsor's trophies/prizes. Should there be any reason to suspect that any exhibit is either diseased or dangerous, the Society reserves the right to isolate, refuse entry to and/or remove the exhibit from the ground at the expense of the exhibitor.

Judge's Decision/Discretion: The judge is empowered to withhold any or all prizes in any class where the exhibits are, in his/her opinion, unworthy of the prize, and always the judge's decision will be final. A judge has the discretion to ask that a led or performance exhibit and handler / rider / driver be ordered to leave the ring if he/she considers the animal is unruly and/or likely to cause an accident

District/Local Classes: Horses and/or riders must have been resident for at least three months prior to the show within a 50-kilometre radius of the Showground.

Novice Class Eligibility: A Novice has not won a First Place at any Show in a similar class.

Ridden Show Hunters and Ridden Show Hacks: At the beginning of each calendar year an exhibitor MUST choose the category for their exhibit, EITHER Show Hunter or Show Hack, when competing at an AgShows NSW Affiliated Agricultural Show or supplementary event.

Stallions: Led Stallions and Colts must be wearing a bit at all times (unless Breed Society rules specify otherwise). Stallions and Colts must be under the control of a person 17 years of age or older (proof of age of handler may be requested). They must always be supervised and securely fastened when tied to the outside of a truck or float. They are not eligible to compete in ridden classes unless their eligibility is specifically stated in the schedule.

Ponies with Adult Riders: Ponies may be ridden by adults unless otherwise stated in the schedule.

Lateness to the Ring: Competitors must be ready when called. Once judging has commenced, a competing horse shall not be led, ridden, or driven into or out of the judging ring without the permission of the judge and/or the Ringmaster or Chief Steward.

Leaving the Ring: If a led horse should drag or escape its handler or a ridden or driven horse takes control of or unseat its rider and leave the ring, it is usually disqualified from the class.

Horse Measuring: No official measuring will take place at the show, but, if a question about height arises, proof of height may be required. In the absence of proof, a decision will be at the absolute discretion of the Ring Master or Chief Steward.

Breed Registration: Registration documents for horses in breed classes must be produced when required by a Steward. It is the competitor/owner's responsibility to ensure relevant memberships for their exhibits Breed society or registry is financial at time of competition.

Attire: Competitors must be appropriately attired for the competition in which they are competing.

Helmets: Every rider is encouraged to wear a safety helmet compliant with the current Australian Standard. Riders under 18 years must wear such a helmet. Some EA affiliated events require Rider's helmets to be tagged prior to competition.

Footwear: All competitors must wear appropriate footwear when leading or riding a horse. When riding, the footwear must enable removal of the foot from the stirrup.

Cruelty: Persons who are considered by the Ringmaster or Chief Steward to be abusive or cruel to a horse will be expelled from the ground. No horse will be permitted to compete if, in the opinion of the Ringmaster or Chief Steward, it is in poor health or condition.

Drugs: Drug testing may be carried out at this show. Any competitor found to have breached the AgShows NSW disputes & disciplinary regulation will be investigated by the AgShows NSW disciplinary committee.

Approaching Judges: No exhibitor or associate will initiate conversation with a judge on judging day, before, during or after judging except through the Ringmaster or Chief Steward.

Prohibited Relationship: No competitor will present for judging before a judge with whom he/she has a family relationship, has, or has recently had a personal relationship or has had horse related business dealings during the past twelve months.

Coaching: Any person detected coaching a competitor while that competitor is being judged may be removed from the Showground.

Proper Conduct: Any person who behaves offensively on the Showground may be expelled from the ground. The matter may be investigated by this Show Society and/or the AgShows NSW Disciplinary Committee and penalties may be imposed.

Protests: A protest or complaint against any exhibit or exhibitor may be lodged verbally with the Ringmaster or Chief Steward no later than ten minutes after the judging of the exhibit or exhibitor. The Ringmaster or Chief Steward must be provided with the exact nature of the complaint and act, if necessary, to maintain competitive fairness. The Ringmaster or Chief Steward may choose to refer the matter to the Protests Committee, which shall comprise the President of the Society, or a Vice President and two other members of the General Committee. A protest or complaint or an appeal against the decision of the Ringmaster or Chief Steward may be lodged in writing with the Secretary no later than 10 pm on the day of judging. Such protest, complaint or appeal shall be accompanied by a deposit of \$50 which shall be forfeited if the protest, complaint, or appeal proves to be frivolous or vexatious. A matter lodged this way shall be dealt with by the Protests Committee within 24 hours of lodgement and the decision of the Protest Committee shall be final. NB: No protest or complaint will be considered if it refers simply to a judge's decision.

Veterinary Costs: In the case of an exhibit requiring veterinary inspection/treatment whilst at this event exhibitors agree that all costs incurred are their responsibility.

Age of Horses: The age of all horses shall be calculated from 1st August in the year in which it was foaled.

Attire and Presentation: The appropriate level of attire and presentation is required for the competition entered. For example, Horse Shows promoted as a "T shirt, no plating shows, or similar" will not be eligible for performance at Sydney Royal.

EXHIBITORS AND COMPETITORS GUIDE

The judges' decision in all classes shall be final.

Entry details must be legible and completed before competing.

Drug testing may be carried out at this Show. Any competitor found to have breached the ASC disputes and disciplinary regulations will be investigated by the ASC Disciplinary Committee.

The committee's decision in all matters of dispute shall be final.

A Waiver form must be signed by all competitors, a parent/guardian is to sign for competitors under 18 years. Wrist band to be worn AT ALL TIMES otherwise competitors will be asked to leave the ring and prizes will be forfeited.

IMPORTANT: Please note that a competitor cannot submit a fillable PDF form to a Show Society via email. The forms are only valid when there is a physical signature present on it. The form must be printed, brought to the show and signed on the day.

Upon achieving an Open Ridden Championship in one ring, any horse/ pony is not eligible to compete in any further saddle (ridden) classes on the day, apart from the Supreme Champion Horse to be Ridden.

PIC numbers: a Property Identification Code is mandatory for all properties carrying livestock. In accordance with ASC guidelines every exhibitor bringing livestock to the show will be required to list each animal being shown together with the PIC for the property from which it has come on the Waiver form before competing.

Health Status: Vaccination against the Hendra virus is not mandatory, however Bonalbo Show Society strongly supports the voluntary vaccination of horses. All exhibitors declare to the best of their knowledge that their horse is healthy and fit to be shown. A Horse Health Declaration form must be completed and submitted.

Electric Fences (Electrified Tape) for temporary enclosures for horses on Showgrounds: use of electric fencing is not permitted at the Bonalbo Show.

Interstate border crossing: competitors travelling from interstate to participate in events at Bonalbo Showgrounds are reminded that it is their obligation to comply with the relevant requirements for livestock movements and border crossings. Details available at <https://www.dpi.nsw.gov.au/biosecurity/managing-biosecurity>

SATURDAY 18 April 2026

HORSES - THREE RING FEATURE PROGRAM

CHIEF STEWARD Owen Osborne Ph 0488 147923
ASSISTANTS Merlene Allen, Eleanor Ramsay, Sharon Tucker,
Stephen Barrett

Ring No 1 Start 8.00 am

Entry \$3.00; Pairs \$3.00 per entry. No refunds.
Entry tickets will be available at booth at Main Ring gate and presented by the competitor to the Steward prior to entering the Ring.

A Waiver form must be signed by all competitors, a parent/guardian is to sign for competitors under 18 years. Wrist band to be worn AT ALL TIMES otherwise competitors will be asked to leave the ring and prizes will be forfeited.

IMPORTANT: Please note that a competitor cannot submit a fillable PDF form to a Show Society via email. The forms are only valid when there is a physical signature present on it. The form must be printed, brought to the show and signed on the day.

Upon achieving an Open Ridden Championship in one ring, any horse/ pony is not eligible to compete in any further saddle (ridden) classes on the day, apart from the Supreme Champion Horse to be Ridden.

Prize Money 1st - \$8.00; 2nd - \$4.00, 3rd - ribbon

AUSTRALIAN STOCK HORSE to be LED

Horses must be registered with the ASH Association

H101 ASH Stallion 3 years & over
H102 ASH Colt 2 years & under 3 years
H103 ASH Colt 1 year & under 2 years
H104 ASH Yearling - Colt, Filly or Gelding

CHAMPION ASH STALLION OR COLT – Ribbon + \$10.00
RESERVE CHAMPION ASH STALLION OR COLT – Ribbon

H105 ASH Gelding 3 years & under
H106 ASH Gelding over 3 years

CHAMPION ASH GELDING - Ribbon + \$10.00
RESERVE CHAMPION ASH GELDING - Ribbon

H107 ASH Mare 3 years & over, under 15 hh
H108 ASH Mare 3 years & over, 15 hh & over
H109 ASH Filly 2 years & under

CHAMPION ASH MARE OR FILLY – Ribbon + \$10.00
RESERVE CHAMPION ASH MARE OR FILLY - Ribbon

SUPREME CHAMPION AUSTRALIAN STOCK HORSE LED – Garland + \$50.00
Sponsored by the Devantier family

- H110 ASH SIRES PROGENY – 2 by the same sire
- H111 ASH DAMS PROGENY – 2 from the same dam
- H112 ASH OWNERS PROGENY – 2 animals owned and bred by the same exhibitor

AUSTRALIAN STOCK HORSE - WORKING

Horses must be registered with the ASH Association

- H113 ASH Stallion/Colt
- H114 ASH Mare
- H115 ASH Gelding
- H116 ASH Youth under 17 years

CHAMPION ASH WORKING - Ribbon + \$10.00 + Trophy rug

RESERVE CHAMPION ASH WORKING - Ribbon

Sponsored by the Devantier family

AUSTRALIAN STOCK HORSE - RIDDEN

Horses must be registered with the ASH Association

- H117 ASH Hack Stallion
- H118 ASH Hack Mare
- H119 ASH Hack Gelding
- H120 ASH Hack ridden by a Junior under 17 years
- H121 Ladies Hack
- H122 Gentleman's Hack

CHAMPION ASH HACK (classes 18 - 22 only) - Ribbon + \$10.00 + Trophy rug

RESERVE CHAMPION ASH HACK - Ribbon

Sponsored by the Devantier family

SUPREME CHAMPION AUSTRALIAN STOCK HORSE RIDDEN – Garland + \$50.00

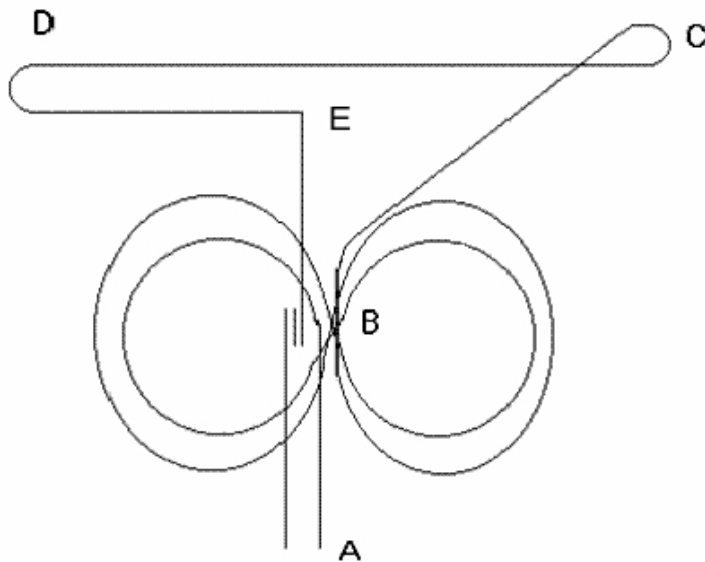
H130 **Jim Brown Memorial Stock Horse under Saddle** - to be tested.

Open to all breeds.

Perpetual trophy and prize money donated by Mr Malcolm Searle, nephew of Jim Brown.

Prize Money 1st - \$75.00; 2nd - \$50.00, 3rd - \$25.00, 4th - \$15.00, 5th - \$10.00

The horse is tested by: opening a gate 10 pts, carrying a coat 10 pts, dismount 10 pts, lead horse in trot 10 pts, remount 10 pts, fast workout as per diagram 100 pts.



Walk to B, trot circle to left, canter circle to right, simple change at B, canter circle to left, flying change at B, fast canter circle to right and continue to C, haunch turn to right, fast canter to D, haunch turn to left, fast canter to E and halt. Trot to B, halt and rein-back 3-5 paces, walk horse forward to original position. Return to A on a light rein and halt.

ANSA RIDDEN HORSE

H140 ANSA Mare or Gelding 14 to 15.2 hh
H141 ANSA Mare or Gelding 15.2 hh and over

CHAMPION RIDDEN ANSA HORSE - Ribbon + \$10.00
RESERVE CHAMPION RIDDEN ANSA HORSE - Ribbon

H142 Open Lady Rider 17 years and under 21
H143 Open Lady Rider 21 years and under 40
H144 Open Lady Rider over 40 years

CHAMPION OPEN LADY RIDER (classes H142 – H144 only) - Ribbon + \$10.00
RESERVE CHAMPION OPEN LADY RIDER (classes H142 – H144 only) - Ribbon

H145 Open Gentleman Rider 17 years and under 21
H146 Open Gentleman Rider 21 years and under 40
H147 Open Gentleman Rider over 40 years

CHAMPION OPEN GENTLEMAN RIDER (classes H145 – H147 only) - Ribbon + \$10.00
RESERVE CHAMPION OPEN GENTLEMAN RIDER (classes H145 – H147 only) - Ribbon

Ring No 2 Start 8.00 am

Entry \$3.00; Pairs \$3.00 per entry. No refunds.
Entry tickets will be available at booth at Main Ring gate and presented by the competitor to the Steward prior to entering the Ring.

A Waiver form must be signed by all competitors, a parent/guardian is to sign for competitors under 18 years. Wrist band to be worn AT ALL TIMES otherwise competitors will be asked to leave the ring and prizes will be forfeited.

IMPORTANT: Please note that a competitor cannot submit a fillable PDF form via email. The forms are only valid when there is a physical signature present on it. The form must be printed, brought to the show and signed on the day.

Upon achieving an Open Ridden Championship in one ring, any horse/ pony is not eligible to compete in any further saddle (ridden) classes on the day, apart from the Supreme Champion Horse to be Ridden.

Prize money 1st \$8.00, 2nd \$4.00, 3rd ribbon

PONY to be LED (open to all ponies)

| | |
|-------------------|---------------------------|
| H201 Pony Mare | under 12 hh |
| H202 Pony Mare | 12 hh not exceeding 13 hh |
| H203 Pony Mare | 13 hh not exceeding 14 hh |
| H204 Pony Gelding | under 12 hh |
| H205 Pony Gelding | 12 hh not exceeding 13 hh |
| H206 Pony Gelding | 13 hh not exceeding 14 hh |

CHAMPION PONY MARE OR GELDING to be LED - Ribbon + \$10.00
RESERVE CHAMPION PONY MARE OR GELDING to be LED - Ribbon

AUSTRALIAN SADDLE PONY to be LED

Ponies must be registered with the Australian Saddle Pony Association Ltd and exhibitors must be current financial members. Certificates and cards to be made available on request.

| | |
|--------------------|-----------------------|
| H207 ASPA Stallion | not exceeding 14.2 hh |
| H208 ASPA Mare | not exceeding 14.2 hh |
| H209 ASPA Gelding | not exceeding 14.2 hh |

CHAMPION ASPA to be LED - Ribbon + \$10.00
RESERVE CHAMPION ASPA to be LED – Ribbon

SUPREME CHAMPION PONY to be LED – Garland and Prize

THOROUGHBRED to be LED

| |
|---------------------------------|
| H210 Thoroughbred Stallion |
| H211 Thoroughbred Mare or Filly |
| H212 Thoroughbred Gelding |

CHAMPION THOROUGHBRED – Ribbon + \$10.00
RESERVE CHAMPION - Ribbon

GALLOWAY to be LED

H213 Galloway Mare 14 hh to 14.2 hh
H214 Galloway Gelding 14 hh to 14.2 hh
H215 Galloway Mare 14.2 hh to 15 hh
H216 Galloway Gelding 14.2 hh to 15 hh

CHAMPION GALLOWAY to be LED - Ribbon + \$10.00
RESERVE CHAMPION GALLOWAY to be LED - Ribbon

ANSA SADDLE HORSE to be LED

Horses must be registered with ANSA Saddle Horse Association

H217 ANSA Stallion or Colt
H218 ANSA Mare 14 hh to 15.2 hh
H219 ANSA Mare over 15.2 hh
H220 ANSA Gelding 14 hh to 15.2 hh
H221 ANSA Gelding 15.2 hh and over

CHAMPION ANSA to be LED - Ribbon + \$10.00
RESERVE CHAMPION ANSA to be LED - Ribbon

SUPREME CHAMPION ALL BREED HORSE to be LED – Garland and Prize

RIDING CLASSES

H222 Tiny Tots Under 6 years
H223 Girl Rider 6 years & under 9 years
H224 Girl Rider 9 years & under 12 years

CHAMPION JUNIOR GIRL RIDER UNDER 12 YEARS - Ribbon
RESERVE CHAMPION JUNIOR GIRL RIDER UNDER 12 YEARS - Ribbon

H225 Girl Rider 12 years & under 15 years
H226 Girl Rider 15 years & under 17 years

CHAMPION SENIOR GIRL RIDER 12 - 17 YEARS - Ribbon
RESERVE CHAMPION SENIOR GIRL RIDER 12 - 18 YEARS - Ribbon

H227 Boy Rider 6 years & under 9 years
H228 Boy Rider 9 years & under 12 years

CHAMPION JUNIOR BOY RIDER UNDER 12 YEARS - Ribbon
RESERVE CHAMPION JUNIOR BOY RIDER UNDER 12 YEARS - Ribbon

H229 Boy Rider 12 years & under 15 years
H230 Boy Rider 15 years & under 17 years

CHAMPION SENIOR BOY RIDER 12 - 17 YEARS - Ribbon
RESERVE CHAMPION SENIOR BOY RIDER 12 - 17 YEARS - Ribbon

GALLOWAY to be RIDDEN

| | | |
|------|-----------------|---------------|
| H231 | Maiden Galloway | 14 to 15 hh |
| H232 | Novice Galloway | 14 to 14.2 hh |
| H233 | Open Galloway | 14 to 14.2 hh |
| H234 | Novice Galloway | 14.2 to 15 hh |
| H235 | Open Galloway | 14.2 to 15 hh |

CHAMPION GALLOWAY to be RIDDEN - Prize donated by the Ramsey family
RESERVE CHAMPION GALLOWAY to be RIDDEN - Ribbon

| | |
|------|-------------------|
| H236 | Lady's Galloway |
| H237 | Pair of Galloways |
| H238 | Pleasure Galloway |

AUSTRALIAN SADDLE PONY to be RIDDEN

Ponies must be registered with the Australian Saddle Pony Association Ltd and exhibitors must be current financial members. Certificates and cards to be made available on request.

| | | |
|------|----------------------|-----------------------------|
| H239 | ASPA Stallion | not exceeding 14.2 hh |
| H240 | ASPA Mare or Gelding | not exceeding 13 hh |
| H241 | ASPA Mare or Gelding | 13 hh not exceeding 14.2 hh |

CHAMPION ASPA to be RIDDEN - Ribbon + \$10.00
RESERVE CHAMPION ASPA to be RIDDEN - Ribbon

OFF THE TRACK

| | |
|------|--------------------|
| H243 | Newcomer |
| H244 | Open Off The Track |

CHAMPION OFF THE TRACK - Ribbon + \$10.00
RESERVE CHAMPION OFF THE TRACK - Ribbon

HACK

| | | |
|------|------------------|-----------------------------|
| H245 | Maiden Hack | |
| H246 | Novice Hack | |
| H247 | Hack | 15.2 hh not exceeding 16 hh |
| H248 | Hack | 16 hh not exceeding 16.2 hh |
| H249 | Hack | 16.2 hh and over |
| H250 | Ladies Hack | |
| H251 | Gentleman's Hack | |
| H252 | Child's Hack | |

CHAMPION HACK (classes H246 – H251 only) - Ribbon + \$10.00
RESERVE CHAMPION HACK (classes H246 – H251 only) - Ribbon

PONY to be RIDDEN

H255 Maiden Pony Hack
H256 Novice Pony Hack

H257 Open Pony Hack under 11.2 hh
H258 Open Pony Hack 11.2 hh not exceeding 12hh
H259 Open Pony Hack 12hh not exceeding 12.2 hh
H260 Childs Pony under 12.2 hh

CHAMPION PONY UNDER 12.2hh (classes H257 – H260 only) – Ribbon + \$10.00
RESERVE CHAMPION PONY UNDER 12.2hh (classes H257 – H260 only) - Ribbon

H261 Open Pony Hack 12.2 hh not exceeding 13 hh
H262 Open Pony Hack 13 hh not exceeding 13.2 hh
H263 Open Pony Hack 13.2 hh not exceeding 14 hh
H264 Childs Pony under 14hh

CHAMPION PONY UNDER 14hh (classes H261 – H264 only) - Ribbon + \$10.00
RESERVE CHAMPION PONY UNDER 14hh (classes H261 – H264 only) - Ribbon

SHOW HUNTER HACKS

H270 Show Hunter Hack 15 hh not exceeding 15.2hh
H271 Show Hunter Hack 15.2hh not exceeding 16 hh
H272 Show Hunter Hack 16 hh and over

CHAMPION SHOW HUNTER HACK (classes H270-H272 only) - Ribbon + \$10.00
RESERVE CHAMPION SHOW HUNTER HACK (classes H270-H272 only) - Ribbon

SHOW HUNTER PONIES

H273 Show Hunter Pony not exceeding 12hh
H274 Show Hunter Pony 12hh not exceeding 13hh
H275 Show Hunter Pony 13hh not exceeding 14hh

CHAMPION SHOW HUNTER PONY (classes H273-H275 only) - Ribbon + \$10.00
RESERVE CHAMPION SHOW HUNTER PONY (classes H273-H275 only) - Ribbon

SHOW HUNTER GALLOWAYS

H276 Hunter Galloway 14 hh not exceeding 14.2 hh
H277 Hunter Galloway 14.2 hh not exceeding 15 hh

CHAMPION HUNTER GALLOWAY (classes H276-H277 only) - Ribbon + \$10.00
RESERVE CHAMPION HUNTER GALLOWAY (classes H276-H277 only) - Ribbon

SUPREME CHAMPION HUNTER – Garland donated by Champions Choice
Browbands + Prize

SUPREME CHAMPION HORSE to be RIDDEN – Garland and Prize donated by
Eleanor Ramsay

Ring No 3 Start 8.30 am

Entry \$3.00
Pairs \$3.00 per entry
No refunds

Entry tickets will be available at the booth at Main Ring gate and presented by the competitor to the Steward prior to entering the Ring.

Prize money 1st \$8.00, 2nd \$4.00, 3rd ribbon

A Waiver form must be signed by all competitors, a parent/guardian is to sign for competitors under 18 years. Wristband to be worn AT ALL TIMES otherwise competitors will be asked to leave the ring and prizes will be forfeited.

IMPORTANT: Please note that a competitor cannot submit a fillable PDF form to a Show Society via email. The forms are only valid when there is a physical signature present on it. The form must be printed, brought to the show and signed on the day.

Upon achieving an Open Ridden Championship in one ring, any horse/ pony is not eligible to compete in any further saddle (ridden) classes on the day, apart from the Supreme Champion Horse to be Ridden.

H301 Best Presented Western / Coloured Exhibit led (English or Western Attire)

QUARTER HORSE to be LED

H302 Led Colt 4 years & under
H303 Led Stallion over 4 years
H304 Led Filly 4 years & under
H305 Led Mare over 4 years
H306 Led Gelding

CHAMPION QUARTER HORSE LED - Ribbon
RESERVE CHAMPION QUARTER HORSE LED - Ribbon

PAINT HORSE to be LED

H307 Led Colt 4 years & under
H308 Led Stallion over 4 years
H309 Led Filly 4 years & under
H310 Led Mare over 4 years
H311 Led Gelding

CHAMPION PAINT HORSE LED - Ribbon
RESERVE CHAMPION PAINT HORSE LED - Ribbon

**Registered Western Bred HORSE to be LED
(Not Already Shown)**

H312 Led Colt 4 years & under
H313 Led Stallion over 4 years
H314 Led Filly 4 years & under
H315 Led Mare over 4 years
H316 Led Gelding

CHAMPION HORSE LED - Ribbon
RESERVE CHAMPION HORSE LED - Ribbon

PINTO to be LED

H317 Led Pinto Pony ne 14hh
H318 Led Pinto Galloway Over 14hh ne 15hh
H319 Led Pinto Hack Over 15hh

CHAMPION PINTO LED - Ribbon
RESERVE CHAMPION PINTO LED - Ribbon

DILUTE to be LED

H320 Palomino Best Mane & Tail - Not Eligible for Champion
H321 Palomino Best Coat Colour - Not Eligible for Champion

H322 Led Dilute Stallion or Colt
H323 Led Dilute Mare or Filly
H324 Led Dilute Gelding

CHAMPION DILUTES LED - Ribbon
RESERVE CHAMPION DILUTES LED - Ribbon

Unregistered Brumby Horse to be LED

H325 Led Stallion or Colt
H326 Led Mare or Filly
H327 Led Gelding

CHAMPION BRUMBY LED - Ribbon
RESERVE CHAMPION BRUMBY LED - Ribbon

**Ridden Western / Coloured Bred Horses
Western or English Attire**

TO BE JUDGED ON PRESENTATION.

H330 * Best Presented Western or Coloured Horse and Rider - Western Attire

H331 * Best Presented Western or Coloured Horse and Rider - English Attire

* Not Eligible for Champion

H332 Ridden Registered Quarter Horse

H333 Ridden Registered Paint Horse

H334 Ridden Registered Pinto Horse

H335 Ridden Registered Dilute Horse

H336 Ridden Any other Registered Western or Coloured Horse

H337 Ridden Brumby

CHAMPION HORSE RIDDEN - Ribbon

RESERVE CHAMPION HORSE RIDDEN - Ribbon

LED– Any Other Breed

Open to horses that haven't entered any other Led Classes

H340 Led Filly 3 years & under

H341 Led Mare 4 years & over

H342 Led Gelding 3 years & under

H343 Led Gelding 4 years & over

CHAMPION LED ANY OTHER BREED - Ribbon

RESERVE CHAMPION LED ANY OTHER BREED - Ribbon

RIDDEN – Any Other Breed

Open to horses that haven't entered any other Ridden Classes

H344 Mare or Filly

H345 Gelding

CHAMPION RIDDEN ANY OTHER BREED - Ribbon

RESERVE CHAMPION RIDDEN ANY OTHER BREED - Ribbon

BUSH PONY & SPORTING EVENT CLASSES

Start time 9.00am

CHIEF STEWARD Owen Osborne Ph 0488 147923

ASSISTANTS Stephen Barrett, Rhonda Barrett.

Entry \$3.00; Pairs \$3.00 per entry. No refunds.

Entry tickets will be available at booth at Main Ring gate and presented by the competitor to the Steward prior to entering the Ring.

A Waiver form must be signed by all competitors, a parent/guardian is to sign for competitors under 18 years. Wrist band to be worn AT ALL TIMES otherwise competitors will be asked to leave the ring and prizes will be forfeited.

Bush pony is for riders and horses that do not compete in any other riding or horse events at this show. (except class 180 Pony Club jump and Sporting Events)

Prize money 1st \$8.00, 2nd \$4.00, 3rd ribbon

130 Best Child's Pony any age under 12 hh to be led

131 Best Child's Pony any age 12 hh and over to be led

132 Best Child's Horse any age to be led

133 Boy Rider under 6 years

134 Girl Rider under 6 years

MRS DRAKE MEMORIAL TROPHY for child under 6 years

135 Boy Rider 6 years & under 10 years

136 Girl Rider 6 years & under 10 years

137 Boy Rider 10 years & under 12 years

138 Girl Rider 10 years & under 12 years

MRS DRAKE MEMORIAL TROPHY for child 6 years & under 12 years

139 Boy Rider 12 years & under 14 years

140 Girl Rider 12 years & under 14 years

141 Boy Rider 14 years & under 18 years

142 Girl Rider 14 years & under 18 years

MRS DRAKE MEMORIAL TROPHY for child 12 years & under 18 years

143 Bush Pony Fancy Dress

SPORTING EVENTS

144 Bending Race under 10 years

145 Bending Race 10 years & under 12 years

146 Bending Race 12 years & under 14 years

147 Bending Race 14 years & under 18 years

148 Flag Race under 10 years

149 Flag Race 10 years & under 12 years

150 Flag Race 12 years & under 14 years

151 Flag Race 14 years & under 18 years

152 Barrel Race under 10 years

153 Barrel Race 10 years & under 12 years

154 Barrel Race 12 years & under 14 years

155 Barrel Race 14 years & under 18 years

This page has been left blank intentionally

PRIME CATTLE
Showground PIC No: NA 122376

CHIEF STEWARD
ASSISTANT

Paul Johnston Snr
Clive Newton

Ph (02) 6665 3101

Entry \$2.00

Entries close at 9am and judging commences at 9.30am on Saturday 18 April 2026

A Waiver form must be signed by all competitors, a parent/guardian is to sign for competitors under 18 years. Wristband to be worn AT ALL TIMES otherwise competitors will be asked to leave the ring and prizes will be forfeited.
IMPORTANT: Please note that a competitor cannot submit a fillable PDF form via email. The forms are only valid when there is a physical signature present on it. The form must be printed, brought to the show and signed on the day.

All cattle to be NLIS tagged before leaving property.
Tag and PIC numbers to be supplied with entries.

It is requested by the stewards that all stock exhibited be reasonably quiet. Owners to assist stewards to present the cattle for judging.

Cattle to be left in the yards until 3.00 pm. Unled cattle over 12 months to have their horns tipped.

Prime cattle exhibited in classes 200– 203 are not eligible to compete in Led Classes and are not to be groomed.

Prize money classes 200 – 203 – 1st - \$15.00, 2nd - \$10.00, sponsored by APL SummerCo

200 Steer - 1 year and under 2 years

201 Vealer Steer under 12 months

202 Vealer Female under 12 months

CHAMPION PRIME BEAST – Trophy + \$50 sponsored by APL SummerCo

203 Pen of 3 steers under 12 months, judged for type and conformation rather than condition. Most suitable for fattening after weaning.

BEEF BREEDS

Cattle exhibited in classes 204 - 211 are not eligible to compete in led classes and are not to be groomed. Ribbon for classes 204 - 211.

Prize money classes 204 - 216 – 1st - \$10.00, 2nd - \$8.00,

204 Bull 3 years and over

205 Bull 2 years and under 3 years

206 Bull 1 year and under 2 years

207 Bull under 12 months bred by the exhibitor

CHAMPION MALE classes 204 - 207 – Ribbon + \$20

- 208 Female 3 years and over
- 209 Female 2 years and under 3 years
- 210 Female 1 year and under 2 years
- 211 Female under 12 months

RAMSEY AND BULMER CHALLENGE TROPHY to be competed for annually in class 211 for 10 years.

CHAMPION FEMALE classes 208 - 211 Ribbon + \$20.00

GRAND CHAMPION BEEF ANIMAL OF THE PEN SECTION classes 200 - 211 Ribbon + \$100 sponsored by APL SummerCo

- 212 Pen of 3 Females over 3 years
- 213 Pen of 3 Females 2 years and under 3 years
- 214 Pen of 3 Females 1 year and under 2 years
- 215 Pen of 3 Females under 12 months most suitable for breeding
- 216 Best breeder type Female with calf at foot - calf to be taken into consideration as an indication of her ability to rear her progeny.

Prize donated by Bonalbo Show Society awarded to the most successful exhibitor by point score. Points to be awarded as follows: Champion- 5 pts, 1st - 3 pts, 2nd - 2 pts, 3rd - 1 pt. Restricted to classes 200 - 216 inclusive.

PIC numbers: a Property Identification Code is mandatory for all properties carrying livestock. In accordance with ASC guidelines every exhibitor bringing livestock to the show will be required to list each animal being shown together with the PIC for the property from which it has come on the Waiver form before competing.

Interstate border crossing: competitors travelling from interstate to participate in events at Bonalbo Showgrounds are reminded that it is their obligation to comply with the relevant requirements for livestock movements and border crossings. Details available at <https://www.dpi.nsw.gov.au/biosecurity/managing-biosecurity/>

LED BEEF CATTLE
Showground PIC No: NA 122376

CHIEF STEWARD Chris Whitney Ph 0417 445804
ASSISTANT Kasandra Eichorn

Cattle in this section are not eligible for pen classes 200 - 216

The age of led cattle to be the actual age up to and including 1 April 2026.

Entries close Monday 13 April 2026

Judging starts 9.00 am with the led steers

Entry \$4.00

Prize money 1st - \$10.00, 2nd - \$7.00, 3rd - \$5.00 (unless otherwise specified)

A Waiver form must be signed by all competitors, a parent/guardian is to sign for competitors under 18 years. Wristband to be worn AT ALL TIMES otherwise competitors will be asked to leave the ring and prizes will be forfeited.

IMPORTANT: Please note that a competitor cannot submit a fillable PDF form via email. The forms are only valid when there is a physical signature present on it. The form must be printed, brought to the show and signed on the day.

www.bonalboshow.com.au

All cattle to be NLIS tagged before leaving property.
PIC numbers to be supplied with entries.

Agricon High Achiever Award

Hosted by Far North Coast Group of Show Societies Inc.

“Growing the potential of the Far North Coast”

The Agricon High Point Achiever Award is designed to encourage and reward seed stock beef producers for participating and supporting Group One Agricultural Shows throughout the year. Eligible Shows include: Bonalbo, Woodenbong, Grafton, Maclean, Nimbin, Kyogle, Casino, Lismore, Alstonville, Murwillumbah, Mullumbimby and Bangalow. The award will be announced after Bangalow Show in 2026.

The winner of the High Achiever Award receives product to the value of \$1,750, runner up receives product valued at \$875 and third place will receive product to the value of \$440. Wild Card/Encouragement Award will receive product to the value of \$440.

This competition is open only to exhibitors who enter beef cattle under the same Exhibitor Name throughout the competition year. No Group class points will be included.

The Agricon High Point Achiever Award will be judged based on the following points:

| Category Judged | Points |
|-------------------------------------|---------------|
| Participation per show | 25 |
| Champion of Champion/Grand Champion | 5 |
| Champion | 3 |
| Reserve Champion | 2 |
| First in Class | 3 |
| Second in Class | 2 |

NOTE: Points are cumulative, i.e. the winner of a Class, Champion and Grand Champion would obtain 11 points (3+3+5).



LC01 Junior Led Steer showing no permanent teeth (Entered, prepared and paraded by a school or exhibitor under 18 years old)

Prize money donated by Tookawhile Charolais and Show Steers

1st - \$60.00, 2nd - \$50.00, 3rd - \$30.00, 4th - \$25.00. 5th - \$20.00, 6th - \$15.00

LC02A Open Led Steer showing no permanent teeth

LC02B Open Led Steer showing no permanent teeth

Prize money donated by Lindesay View Limousin Stud

1st - \$40.00, 2nd - \$30.00, 3rd - \$20.00, 4th - \$10.00. 5th - \$5.00

LC03 Open Led Heifer showing no permanent teeth

Prize money donated by Culmaran Pines Simmental/Fleckvieh Stud

1st - \$40.00, 2nd - \$30.00, 3rd - \$20.00, 4th - \$10.00. 5th - \$5.00

CHAMPION LED STEER OR HEIFER - \$50 donated by Lindesay View Limousin Stud
Bonus \$200 donated by Ramsey and Bulmer if Champion Led Steer was purchased at the Casino Potential Show Steer Sale on the 3/12/2025.

LC04 Led Steer or Heifer (purchased at the Casino Potential Show Steer Sale on the 3/12/2025.)

Prize money donated by Ramsay and Bulmer and Casino Beef Week

1st - \$150.00, 2nd - \$100.00, 3rd - \$70.00

LC10 Bull under 12 months

LC11 Bull 12 months & under 16 months

LC12 Bull 16 months & under 20 months

JUNIOR CHAMPION BULL – Ribbon + \$25 + Prize donated by Norco Rural Casino

RESERVE JUNIOR CHAMPION BULL – Ribbon

LC13 Bull 20 months & under 24 months

LC14 Bull 24 months & under 30 months

LC15 Bull 30 months & over

SENIOR CHAMPION BULL – Ribbon + \$25 + Prize donated by Norco Rural Casino

RESERVE SENIOR CHAMPION BULL - Ribbon

GRAND CHAMPION BULL – Ribbon + \$500 donated by Ray White Casino | Kyogle

LC20 Female under 12 months

LC21 Female 12 months & under 16 months

LC22 Female 16 months & under 20 months

JUNIOR CHAMPION FEMALE – Ribbon + \$25 + Prize donated by Norco Rural Casino

RESERVE JUNIOR CHAMPION FEMALE - Ribbon

LC23 Female 20 months & under 24 months

LC24 Female 24 months & under 30 months

LC25 Female 30 months & over

SENIOR CHAMPION FEMALE – Ribbon + \$25 + Prize donated by Norco Rural Casino

RESERVE SENIOR CHAMPION FEMALE - Ribbon

GRAND CHAMPION FEMALE – Ribbon + \$500 donated by Ray White Casino | Kyogle

SUPREME BEEF EXHIBIT - LED – Ribbon + Prize donated by Pocupar Poll

Herefords, Old Bonalbo

- LC30 Cow with calf at foot, calf under 8 months
LC31 Exhibitors group - 3 head, both sexes, owned but not necessarily bred by exhibitor, all animals to be over 8 months

Prize money classes LC232 – LC235 1st - \$20.00, 2nd - \$10.00, 3rd - \$5.00 donated by Stonebridge Droughtmasters

- LC32 Two junior bulls
LC33 Two junior females
LC34 Two senior bulls
LC35 Two senior females

MOST SUCCESSFUL EXHIBITOR – sponsored by Nutrien Ag Solutions Casino
Points to be awarded as follows: Champion- 5 pts, 1st - 3 pts, 2nd - 2 pts, 3rd - 1 pt.
Restricted to classes LC01- LC35 inclusive

PARADERS

The first and second place getter in each Parader class will be eligible to compete in the Group Final to be held at the North Coast National Show.

Competitors must be over 15 years and under 25 years of age at 1 May 2027 to be eligible for group final.

Entry - free

- LC40 Parader under 15 years
LC41 Parader 15 years & under 18 years
LC42 Parader 18 years & under 25 years

YOUNG JUDGES - CATTLE

The first and second placegetter in the Young Judges competition will be eligible to compete in the Group Final to be held at the North Coast National Show.

Competitors must be over 15 years and under 25 years of age at 1 May 2027 to be eligible for the group final.

Entry - free

- LC44 Young Judge - Cattle

PIC numbers: a Property Identification Code is mandatory for all properties carrying livestock. In accordance with ASC guidelines every exhibitor bringing livestock to the show will be required to list each animal being shown together with the PIC for the property from which it has come on the Waiver form before competing.

Interstate border crossing: competitors travelling from interstate to participate in events at Bonalbo Showgrounds are reminded that it is their obligation to comply with the relevant requirements for livestock movements and border crossings. Details available at <https://www.dpi.nsw.gov.au/biosecurity/managing-biosecurity/>

LED CATTLE CHECKLIST

- Have you fully completed and signed your entry form? Available to download on Bonalbo Show website – www.bonalboshow.com.au.**
- Have you included your Pestivirus results?**
- Have you printed your waiver form/s?**

**SATURDAY April 18, 2026
MINIATURE GOAT and SHEEP SHOW**

Entries Close Sunday 12 April 2026

To enter, animals must be registered with the Australian All Breeds Miniature Goat and Sheep Society or an affiliated association.

Entry form available on AABMGS - <https://www.aabmgs.org.au/>

Entries to be sent to the Show Manager mark.deenen@bigpond.com by 12 April 2026, along with proof of payment of entry fees to AABMGS.

SHOW MANAGER: Rochelle Deenen Ph 0484 920486

Start time: 9.00 am

Movement forms and Health Declaration forms are to be provided to the Show Manager on the day of the Show.

POULTRY

CHIEF STEWARD Gavin Smith Ph 0473 174592
Assistant Layton Smith Ph 0456 129794
One day show only Saturday 18 April 2026

ENTRIES CLOSE Friday 10 April 2026
All entries MUST be penned by 8.30 am Saturday 18 April 2026
Entries will be given preference in the order they are received.

No competitor or member of the public will be permitted to enter the pavilion during the judging. Should any competitor at any time interfere with the work of the stewards, they may risk forfeiture of their prize money.

ENTRIES MAY BE ENTERED IN ONE CLASS ONLY

| | | |
|-------------|---------------------|--|
| Entry | Breeding pairs | \$0.50 |
| | Open Single Classes | \$0.50 |
| Prize money | Breeding pairs | 1 st - \$2.50, 2 nd - \$1.50 |
| | Open Single Classes | 1 st - \$2.50, 2 nd - \$1.50 |

A Participants Waiver form must be signed by all competitors, a parent/guardian is to sign for competitors under 18 years.

BREEDING CLASSES - Pair (male and female)

245 Large Soft Feather
246 Large Hard Feather
247 Bantam Soft Feather
248 Bantam Hard Feather
CHAMPION & RESERVE LARGE SOFT FEATHER PAIR Ribbon
CHAMPION & RESERVE LARGE HARD FEATHER PAIR Ribbon
CHAMPION & RESERVE BANTAM SOFT FEATHER PAIR Ribbon
CHAMPION & RESERVE BANTAM HARD FEATHER PAIR Ribbon

SINGLE CLASSES

LARGE SOFT FEATHER

| Cock | Hen | Cockerel | Pullet | Breed |
|------|-----|----------|--------|-----------------|
| 249 | 250 | 251 | 252 | Ancona |
| 253 | 254 | 255 | 256 | Australorp |
| 257 | 258 | 259 | 260 | Barnevelder |
| 261 | 262 | 263 | 264 | Langshan, Black |
| 265 | 266 | 267 | 268 | Langshan, AOC |

Classes above are eligible for Champion and Reserve Large Soft Feather Male/Female

| | | | | | |
|---|-----|-----|-----|----------------|---------------|
| 269 | 270 | 271 | 272 | Leghorn, White | |
| 273 | 274 | 275 | 276 | Leghorn, Brown | |
| 277 | 278 | 279 | 280 | Leghorn, AOC | |
| CHAMPION & RESERVE LARGE LEGHORN MALE | | | | | Ribbon + \$25 |
| CHAMPION & RESERVE LARGE LEGHORN FEMALE | | | | | Ribbon + \$25 |

Prize money sponsored by Ray White Casino | Kyogle

| Cock | Hen | Cockerel | Pullet | Breed | |
|--|------------|-----------------|---------------|-------------------------|--------|
| 281 | 282 | 283 | 284 | Plymouth Rock | |
| 285 | 286 | 287 | 288 | Rhode Island Red | |
| 289 | 290 | 291 | 292 | Rhode Island White | |
| 293 | 294 | 295 | 296 | Silkie, White | |
| 297 | 298 | 299 | 300 | Silkie, AOC | |
| 301 | 302 | 303 | 304 | Sussex, | |
| 305 | 306 | 307 | 308 | Sussex, AOC | |
| 309 | 310 | 311 | 312 | Wyandotte, White | |
| 313 | 314 | 315 | 316 | Wyandotte, Silver Laced | |
| 317 | 318 | 319 | 320 | Wyandotte, Gold Laced | |
| 321 | 322 | 323 | 324 | AOV Large Soft Feather | |
| CHAMPION & RESERVE LARGE SOFT FEATHER MALE | | | | | Ribbon |
| CHAMPION & RESERVE LARGE SOFT FEATHER FEMALE | | | | | Ribbon |

LARGE HARD FEATHER

| Cock | Hen | Cockerel | Pullet | Breed | |
|--|------------|-----------------|---------------|----------------------------|--------|
| 325 | 326 | 327 | 328 | Australian Game, Black-Red | |
| 329 | 330 | 331 | 332 | Australian Game, AOC | |
| 333 | 334 | 335 | 336 | Indian Game, Dark | |
| 337 | 338 | 339 | 340 | Indian Game, AOC | |
| 341 | 342 | 343 | 344 | OE Game, Black-Red | |
| 345 | 346 | 347 | 348 | OE Game, AOC | |
| 349 | 350 | 351 | 352 | Pitt Game, AC | |
| 353 | 354 | 355 | 356 | AOV Large Game | |
| CHAMPION & RESERVE LARGE HARD FEATHER MALE | | | | | Ribbon |
| CHAMPION & RESERVE LARGE HARD FEATHER FEMALE | | | | | Ribbon |

BANTAM SOFT FEATHER

| Cock | Hen | Cockerel | Pullet | Breed |
|------|-----|----------|--------|-------------------|
| 357 | 358 | 359 | 360 | Ancona |
| 361 | 362 | 363 | 364 | Australorp, Black |
| 365 | 366 | 367 | 368 | Australorp, AOC |
| 369 | 370 | 371 | 372 | Belgium |
| 373 | 374 | 375 | 376 | Langshan |

Classes above are eligible for Champion and Reserve Soft Feather Bantam Male/Female

| | | | | |
|-----|-----|-----|-----|----------------|
| 377 | 378 | 379 | 380 | Leghorn, White |
| 381 | 382 | 383 | 384 | Leghorn, Black |
| 385 | 386 | 387 | 388 | Leghorn, Blue |
| 389 | 390 | 391 | 392 | Leghorn, Pile |
| 393 | 394 | 395 | 396 | Leghorn, Brown |
| 397 | 398 | 399 | 400 | Leghorn, AOC |

CHAMPION & RESERVE BANTAM LEGHORN MALE Ribbon + \$25

CHAMPION & RESERVE BANTAM LEGHORN FEMALE Ribbon +\$25

Prize money sponsored by Ray White Casino | Kyogle

| Cock | Hen | Cockerel | Pullet | Breed |
|------|-----|----------|--------|-------------------------|
| 401 | 402 | 403 | 404 | Orpington, Black |
| 405 | 406 | 407 | 408 | Orpington, AOC |
| 409 | 410 | 411 | 412 | Pekin, Black |
| 413 | 414 | 415 | 416 | Pekin, White |
| 417 | 418 | 419 | 420 | Pekin, AOC |
| 421 | 422 | 423 | 424 | Plymouth Rock |
| 425 | 426 | 427 | 428 | Rhode Island Red |
| 429 | 430 | 431 | 432 | Rhode Island White |
| 433 | 434 | 435 | 436 | Rosecomb |
| 437 | 438 | 439 | 440 | Sebright |
| 441 | 442 | 443 | 444 | Sussex |
| 445 | 446 | 447 | 448 | Wyandotte, White |
| 449 | 450 | 451 | 452 | Wyandotte, AOC |
| 453 | 454 | 455 | 456 | AOV Soft Feather Bantam |

CHAMPION & RESERVE SOFT FEATHER BANTAM MALE Ribbon

CHAMPION & RESERVE SOFT FEATHER BANTAM FEMALE Ribbon

HARD FEATHER BANTAM

| Cock | Hen | Cockerel | Pullet | Breed |
|------|-----|----------|--------|----------------------------|
| 457 | 458 | 459 | 460 | Australian Game, Black-Red |
| 461 | 462 | 463 | 464 | Australian Game, AOC |
| 465 | 466 | 467 | 468 | Indian Game, Dark |
| 469 | 470 | 471 | 472 | Indian Game, AOC |
| 473 | 474 | 475 | 476 | Mod Black-Red |
| 477 | 478 | 479 | 480 | Mod Pile |
| 481 | 482 | 483 | 484 | Mod AO colour |
| 485 | 486 | 487 | 488 | Pitt Game |
| 489 | | 490 | | OE Game, Black-Red |
| | 491 | | 492 | OE Game, Partridge |
| 493 | 494 | 495 | 496 | OE Game, Pile |
| 497 | 498 | 499 | 500 | OE Game, Blue-Red |

| Cock | Hen | Cockerel | Pullet | Breed | |
|---|------------|-----------------|---------------|-------------------------|--------|
| 501 | 502 | 503 | 504 | OE Game, Blue-Tail | |
| 505 | 506 | 507 | 508 | OE Game, Black-Tail | |
| 509 | 510 | 511 | 512 | OE Game, Spangle | |
| 513 | 514 | 515 | 516 | OE Game, Duckwing | |
| 517 | 518 | 519 | 520 | OE Game, AOC | |
| 521 | 522 | 523 | 524 | AOV Hard Feather Bantam | |
| CHAMPION & RESERVE HARD FEATHER BANTAM MALE | | | | | Ribbon |
| CHAMPION & RESERVE HARD FEATHER BANTAM FEMALE | | | | | Ribbon |

WATER FOWL SECTION

| Entry | FREE | Breed |
|--------------|-------------|-------------------|
| Drake | Duck | |
| 525 | 526 | Indian Runner, AC |
| 527 | 528 | Mallard, Natural |
| 529 | 530 | Mallard, AOC |
| 531 | 532 | Muscovy, White |
| 533 | 534 | Muscovy, AOC |
| 535 | 536 | Saxony, Large |
| 537 | 538 | Saxony, Bantam |
| 539 | 540 | AOV Water Fowl |

CHAMPION & RESERVE WATER FOWL—MALE Ribbon
 CHAMPION & RESERVE WATER FOWL—FEMALE Ribbon

GRAND CHAMPION BIRD OF SHOW – Ribbon and \$50 Vic Pezzutti Memorial Prize donated by his children and grandchildren

GRAND CHAMPION BIRD OPPOSITE SEX – Ribbon and \$50 Prize donated by the Pezzutti family

YOUTH SECTION

Entry FREE
 Prize money 1st - \$2.00, 2nd - \$1.00

| Male | Female | Breed |
|-------------|---------------|--------------------------|
| 542 | 543 | Large Soft Feather Bird |
| 544 | 545 | Large Hard Feather Bird |
| 546 | 547 | Soft Feather Bantam Bird |
| 548 | 549 | Hard Feather Bantam Bird |

CHAMPION & RESERVE LARGE SOFT FEATHER BIRD Ribbon
 CHAMPION & RESERVE LARGE HARD FEATHER BIRD Ribbon
 CHAMPION & RESERVE SOFT BANTAM FEATHER BIRD Ribbon
 CHAMPION & RESERVE HARD BANTAM FEATHER BIRD Ribbon

CHAMPION BIRD - YOUTH SECTION – Ribbon + \$10

PAVILION SECTION

| | | |
|---------------|--|----------------|
| CHIEF STEWARD | Mrs Racheal Newton | (02) 6665 1303 |
| ASSISTANT | Mrs Michelle Meadley | |
| Entries close | 9.00 am Friday 17 April 2026 (unless otherwise stated) | |

For the convenience of exhibitors, entries will be received at the Pavilion on the showground from 10.00am Thursday 16 April 2026 or may be sent by post. All exhibits are to be in the hands of the stewards by 9.00am Friday 17 April.

Fine Arts exhibits must be in the hands of the stewards **by 2.00pm on Thursday 1 May 2026.**

Woodwork, Metalwork and Doll & Teddy exhibits must be in the hands of the stewards **by 4.30 pm on Thursday 16 April 2026.**

No one exhibit is to be shown in more than one class. Exhibits available for sale are to be brought to the attention of the chief steward and marked accordingly. Exhibitors are reminded that 5% of proceeds from sales of exhibits sold during the show are to be passed on to the Show Society. The Pavilion will be closed to the public from 3.00pm Saturday 18 April 2026 and will re-open to exhibitors at 3.30pm to collect their entries. No exhibit is to be removed from the pavilion before 3.30 pm Saturday. Pavilion stewards cease duty at 4.30 pm after which time individual exhibitors are responsible for the care and removal of their exhibits.

Exhibits remaining uncollected after 4.30 pm Saturday 18 April 2026 unless prior arrangements are made, are deemed to be Show Society property and will be disposed of under Society arrangements.

An award for the **Most Successful Exhibitor – Pavilion** will be made in the Open and Youth sections. Exhibitors must enter at least 3 sections of the relevant category (Open or Youth) to be eligible for the award. The recipient will receive a prize donated by the Kyogle Council Mayor.

FARM PRODUCE

STEWARDS Mr Kevin Gambley, Mr Walter Whitney, Mr Korban Newton

Entry \$0.50 in all sections unless otherwise stated
Prize money 1st – 2.00, 2nd - \$1.00 unless otherwise stated

All exhibits to be the bona fide property of the exhibitor and must be the product of the latest possible period. The exhibitor, if called upon, must sign an affidavit to that effect. Sheaves to be no less than 5 cm (2") in diameter.

- 560 Cattle fodder, collection
- 561 Soya beans, sheaf
- 562 Soya beans, 2 litres
- 563 Maize, six cobs
- 564
- 565 Maize, cleanest and best 5 litres
- 566 Maize, six stalks

Sheaves to be no less than 5 cm (2 ") in diameter.

- 570 Kikuyu grass, sheaf, green
- 571 Oats, sheaf, green
- 572 Lucerne, sheaf, green
- 573 Sorghum, sheaf
- 574 Clover, sheaf
- 575 Siratro, sheaf, green
- 576 Dolichos lab lab, sheaf, green
- 577 Summer legumes, sheaf, AOV, green
- 578 Tropical grass, sheaf, any variety, green
- 579 Legumes and/or grass, collection, sheaves, no less than 3 varieties of each, 1st \$3.00, 2nd \$2.00
- 580 Summer legumes, collection, 3 or more
- 581 Millet, sheaf, for fodder
- 582 Cattle pumpkin, heaviest

CHAMPION EXHIBIT classes 560 – 582 \$10

VEGETABLES

- 588 Gramma, trombone
- 589 Gramma, jap/kent pumpkin
- 590 Gramma, AOV
- 591 Gramma, heaviest, any variety
- 592 Potato, white skin, 2kg
- 593 Potato, AOV, 2kg
- 594 Sweet potato, stock variety, 3kg
- 595 Sweet potato, table variety, white, 1kg
- 596 Sweet potato, table variety, AOV, 1kg
- 597 Table pumpkin, Jarrahdale, two
- 598 Table pumpkin, Qld Blue or Beaudesert, two
- 599 Table pumpkin, Golden Nugget, two

- 600 Table pumpkin, AOV, two, variety to be stated on pumpkin
- 601 Blue banana squash, two
- 602 Vegetable marrow, two
- 603 Squash, table queen, two
- 604 Squash, AOV, two
- 605 Marrow and squash, collection, minimum 3 varieties, one of each
- 606 Cucumber, any variety, three
- 607 Choko, two
- 608 Cabbage, any variety, one
- 609 Cauliflower, one
- 610 Kale, six stalks
- 611 Asian vegetables, as grown
- 612 Onion, six
- 613 Garlic, six
- 614 Eschalot or spring onion, one bunch as grown
- 615 Beans, 250g
- 616 Carrot, six
- 617 Beetroot, three
- 618 Peanuts, 250g, in shell
- 619 Rhubarb, six stalks
- 620 Silverbeet or chard, six stalks
- 621 Celery, six stalks
- 622 Parsley, one bunch
- 623 Chillies, six
- 624 Chillies, collection, min 3 varieties, 1 of each
- 625 Capsicum, one
- 626 Kitchen herbs, collection, dry
- 627 Seasoning herbs, green
- 628 Peas, 250g
- 629 Tomato, red, six
- 630 Tomato, yellow, six
- 631 Tomato, collection, three varieties, one of each
- 632 Lettuce, one
- 633 Vegetable/Edible Produce, AOV (to be named)
- 634 Vegetables, collection, minimum three varieties, one of each
- 635 Sweet corn, any variety, one

PRODUCE

- 636 Cream, 200ml, in glass jar
- 637 Butter, 250g, handmade
- 638 Hen eggs, 1 dozen white, double yolks barred
- 639 Hen eggs, 1 dozen brown, double yolks barred

FRUIT

- 641 Orange, six
- 642 Orange, Naval, six
- 643 Mandarin, six
- 644 Lemon, single named variety, six
- 645 Lemon, common, six
- 646 Limes, six

- 647 Grapefruit, six
- 648 Persimmon, six
- 649 Passionfruit, any variety, six
- 650 Pecan nut, in shell, 200g
- 651 Nut, AOV, named, 200g
- 652 Macadamia nut, in shell, 200g
- 653 Kiwi fruit, six
- 654 Rosellas, 250g
- 655 Jam Melon
- 656 Watermelon
- 657 Melon, AOV
- 658 Avocado, two
- 659 Fruit, AOV, one (as grown, ie bunch of grapes, single pineapple), to be named)
- 660 Fruit, collection minimum of 3 varieties, one of each

APICULTURE

- 661 Honey, light, not candied, 500g jar
- 662 Honey, medium, not candied, 500g jar
- 663 Honey, dark, not candied, 500g jar
- 664 Honey, candied, light, medium, or dark, 500g jar
- 665 Frame of honey
- 666 Beeswax, 500g
- 667 Beeswax candle, most attractive design, any method of construction

MOST OUTSTANDING EXHIBIT classes 588 – 667 - \$10

MOST SUCCESSFUL EXHIBITOR classes 560 – 667 - \$25

An award for the **Most Successful Exhibitor– Pavilion** will be made in the Open and Youth sections. Exhibitors must enter at least 3 sections of the relevant category (Open or Youth) to be eligible for the award. The recipient will receive a prize donated by the Kyogle Council Mayor.

HORTICULTURE

STEWARD Mrs Hellan Whitney

Entry \$0.50 in all sections unless otherwise stated
Prize money 1st – 2.00, 2nd - \$1.00 unless otherwise stated

NND: Not Necessarily Distinct
Distinct: Different

CUT FLOWERS

- 670 Carnation, one
- 671 Carnation, three
- 672 Chrysanthemum, one cut
- 673 Chrysanthemum, three, NND
- 674 Chrysanthemum, spider, one cut
- 675 Chrysanthemum, spider, three, NND
- 676 Chrysanthemum, quill, one cut
- 677 Chrysanthemum, quill, three, NND
- 678 Chrysanthemum, collection, 6 cuts, 1st - \$3.00, 2nd - \$2.00
- 679 Gerbera, single, one
- 680 Gerbera, single, three, NND
- 681 Gerbera, double, one
- 682 Gerbera, double, three, NND
- 683 Gerbera, collection, 6 blooms, 1st - \$3.00, 2nd - \$2.00
- 684 Geranium, single, one
- 685 Geranium, double, one
- 686 Flower, AOV
- 687 Dahlia, any variety
- 688 Native, one
- 689 Native, three, NND
- 690 Native, six, Distinct
- 691 Rose, white
- 692 Rose, red
- 693 Rose, yellow
- 694 Rose, pink
- 695 Rose, any other colour
- 696 Roses, three, NND
- 697 Roses, at 3 stages
- 698 Rose, collection, 6 blooms, distinct 1st - \$3.00, 2nd - \$2.00
- 699 Rose, floribunda, one truss
- CHAMPION ROSE \$5
- Bonnie Johnston Memorial Award for
CHAMPION BLOOM OF THE SHOW \$10 donated by Donald and
Elizabeth Johnston

POT PLANTS

- 700 Fern, any variety
- 701 Begonia
- 702 Coleus, one
- 703 Pot plant, Australian native, any variety
- 704 Pot plant in bloom
- 705 Pot plant, hanging
- 706 Zygo cactus
- 707 Cactus, AOV
- 708 Succulent, miniature type
- 709 Succulent, AOV
- 710 Bonsai, any specimen
- 711 Orchid, any variety
- 712 African violet
- 713 'As I Like It'
- 714 Pot plant, AOV

CHAMPION POT PLANT \$10

DECORATIVE

Any embellishment can be used

- 715 Arrangement for a side table
- 716 Arrangement for a church
- 717 Dried arrangement, must be own work
- 718 Arranged container of flowers
- 719 Arrangement in kitchen utensils
- 720 'As I Like It'

Bonnie Johnston Memorial Encouragement Award for the EXHIBITOR WITH THE MOST ENTRIES IN THE HORTICULTURE SECTION (classes 670–720); \$10 donated by Donald and Elizabeth Johnston

MOST SUCCESSFUL EXHIBITOR HORTICULTURE (classes 670–720); \$25 donated by Donald and Elizabeth Johnston

An award for the **Most Successful Exhibitor – Pavilion** will be made in the Open and Youth sections. Exhibitors must enter at least 3 sections of the relevant category (Open or Youth) to be eligible for the award.

The recipient will receive a prize donated by the Kyogle Council Mayor.

PRESERVES

STEWARD Mrs Jenny Bland

All exhibits to be this year's manufacture and must be shown by the manufacturer.

All jellies, jams, chutneys and pickles to be in screwtop jars of no less than 250g with all logos covered on lids and bottles. All lids should be loosened before delivery to the stewards.

Entry \$0.50

Prize money Single 1st \$2.00, 2nd \$1.00

Prize money Collection 1st \$3.00, 2nd \$2.00

JAM - JELLY - FRUIT

- 721 Jam, collection, three different varieties
- 722 Jam, Grape
- 723 Jam, Plum
- 724 Jam, Fig
- 725 Jam, Melon, any flavour
- 726 Jam, Tomato
- 727 Jam, Marmalade
- 728 Jam, AOV not mentioned
- 729 Lemon butter
- 730 Jelly, collection, three different varieties
- 731 Jelly, any variety
- 732 Fruit, in syrup, Peach
- 733 Fruit, in syrup, Plum
- 734 Fruit, in syrup, Grape
- 735 Fruit, collection of fruit in syrup, three different varieties
- 736 Fruit, preserved, any variety
- 737 Dried Fruit

PRESERVED VEGETABLE - PICKLE - CHUTNEY - SAUCES

- 738 Vegetable, any variety, preserved
- 739 Choco pickle
- 740 Mustard pickle
- 741 Mixed pickle
- 742 Onion pickle
- 743 Pickle, AOV
- 744 Pickled vegetable, any variety
- 745 Chutney, any variety
- 746 Chutney, collection, three different varieties
- 747 Tomato Sauce
- 748 Sauce, AOV
- 749 Relish, any variety

HERBS

- 750 Herbs, collection, four different varieties

MOST SUCCESSFUL EXHIBITOR classes 721 - 750 \$10.00

COOKING SECTION

STEWARDS Mrs Michelle Meadley

All exhibits are to be displayed on a plate and are to be cold. Cakes only iced if stated. They are to be the preparation of the exhibitor and homemade.

In class 759 exhibitors may use their own Half Pound Fruit Cake recipe.

| | | | |
|-------------|---|------------|------------|
| Entry | \$1.00 | | |
| Prize money | 1st \$3.00, 2nd \$2.00 unless otherwise stated. | | |
| 751 | Packet orange cake, packet label displayed | | |
| 752 | Sponge roll, jam filled | | |
| 753 | Sponge sandwich, jam filled, not iced | 1st \$5.00 | 2nd \$3.00 |
| 754 | Fielders sponge, jam filled, not iced | 1st \$5.00 | 2nd \$3.00 |
| 755 | Chocolate cake, iced | 1st \$5.00 | 2nd \$3.00 |
| 756 | Lamingtons, plate of six | 1st \$5.00 | 2nd \$3.00 |
| 757 | Marble cake | 1st \$5.00 | 2nd \$3.00 |
| 758 | Sultana cake | 1st \$5.00 | 2nd \$3.00 |

759 Northern NSW Half Pound Fruit Cake Championship

Prize money 1st \$15.00, 2nd \$10.00, 3rd \$5.00.

Recipe optional.

760 Agricultural Society's Council State Rich Fruit Cake competition Sponsored by ASC of NSW and Brian McFarlane (in memory of Mary Collins)

Prize money 1st \$ 50.00, 2nd \$ 35.00, 3rd \$ 25.00

The following recipe is compulsory for all entrants:

| | |
|---------------------------------|------------------------------------|
| 250g sultanas | 250 g chopped raisins |
| 250 g currants | 125 g chopped mixed peel |
| 90 g chopped red glace cherries | 90 g chopped blanched almonds |
| 1/3 cup sherry or brandy | |
| 250 g plain flour | 60 g self-raising flour |
| 1/4 teaspoon grated nutmeg | 1/2 teaspoon ground ginger |
| 1/2 teaspoon ground cloves | 250g butter |
| 250g soft brown sugar | 4 large eggs |
| 1/2 teaspoon lemon essence | OR finely grated lemon rind |
| 1/2 teaspoon almond essence | 1/2 teaspoon vanilla essence |

RECOMMENDED METHOD:

Mix together all the fruits and nuts and sprinkle with the sherry or brandy. Cover and leave for at least 1 hour, but preferably overnight. Sift together the flours and spices. Cream together the butter and sugar with the essences. Add the eggs one at a time, beating well after, each addition, then alternately add the fruit and flour mixtures. Mix thoroughly. The mixture should be stiff enough to support a wooden spoon. Place the mixture into a prepared square 20cm x 20cm (8" x 8") tin and bake in a slow oven for approximately 3 1/2 - 4 hours. Allow the cake to cool in the tin.

Note: To ensure uniformity and depending upon the size it is suggested the raisins be snipped into 2 or 3 pieces, cherries into 4-6 pieces and almonds crosswise into 3-4 pieces. (The height of the cake should not exceed 5.7cm (570mm)).

Winners at country shows will be required to bake a second "Rich Fruit Cake" in order to compete in a semi final to be conducted by each of the 14 groups of Agricultural Society's Council of NSW. The 14 winners at regional level will each receive a cash prize of \$15.00 and are required to bake a third "Rich Fruit Cake" for the final judging at the Royal Easter Show, where the winner will receive a cash prize of \$50.00.

| | | |
|-----|--|------------------------|
| 761 | Boiled fruit cake | 1st \$5.00, 2nd \$3.00 |
| 762 | Named pudding, steamed, | 1st \$5.00, 2nd \$3.00 |
| 763 | Named pudding, boiled | 1st \$5.00, 2nd \$3.00 |
| 764 | Chocolate sponge | 1st \$5.00, 2nd \$3.00 |
| 765 | Cinnamon sponge | 1st \$5.00, 2nd \$3.00 |
| 766 | Banana cake | 1st \$5.00, 2nd \$3.00 |
| 767 | Carrot cake | |
| 768 | Butter cake, iced | 1st \$5.00, 2nd \$3.00 |
| 769 | Patty cakes (no patty papers) | |
| 770 | Date loaf, cooked in loaf tin, nuts optional | 1st \$5.00, 2nd \$3.00 |
| 771 | Jam tart, short pastry, six | |
| 772 | Plain scone, six | 1st \$5.00, 2nd \$3.00 |
| 773 | Pumpkin scone, six | 1st \$5.00, 2nd \$3.00 |
| 774 | Date scone, six | |
| 775 | Sultana scone, six | |
| 776 | Jam drops, six | 1st \$5.00, 2nd \$3.00 |
| 777 | Biscuits, one variety, six | |
| 778 | Fruit cake | 1st \$5.00, 2nd \$3.00 |
| 779 | | |
| 780 | Homemade lolly, collection | |
| 781 | Fruit slice, six pieces, one variety | |
| 782 | Slice, any other, six pieces, one variety | |
| 783 | Caramel tart | |
| 784 | Apple pie | |
| 785 | Tart/pie, AOV | |
| 786 | Chocolate cake, microwave | |
| 787 | Cake, any other flavour, microwave | |
| 788 | Damper, plain | |
| 789 | Loaf of bread, homemade | |

DECORATED CAKES

Exhibits: Handwork only. No cake is to be cut. Dummy bases may be used. Board size is limited to 40 cm square. Tulle, ribbon, wire and stamens allowed. Edible foods may be used as part of the presentation. Entry \$2.00 unless otherwise stated.

790 Best decorated cake for any special occasion – OPEN.
1st \$10.00, 2nd \$5.00,

791 Best decorated cake for any special occasion - NOVICE.
1st \$10.00, 2nd \$5.00,

MOST SUCCESSFUL EXHIBITOR classes 751 – 791 \$25

CHAMPION ARTICLE IN COOKING SECTION classes 751 - 791 \$10

NEEDLEWORK & FANCYWORK

STEWARD

All articles in this section must be unsoiled. Any dirty article will be disqualified. All articles to have been completed during the last three years.

Entry \$0.50 in all sections unless otherwise stated
Prize money 1st – 2.00, 2nd - \$1.00 unless otherwise stated

- 800 Doily, crochet
- 801 Table centre, embroidered
- 802 Table centre, crochet
- 803 Table centre, any other
- 804 Duchess set, three pieces, embroidered
- 805 Duchess set, three pieces, crochet
- 806 Tea cosy
- 807 Milk jug cover
- 808 Any other article of fine crochet
- 809 Tablecloth, any size, crochet
- 810 Tablecloth, any size, embroidered
- 811 Tablecloth, any other
- 812 Throw over
- 813 Appliqué article, any, handmade
- 814 Appliqué article, any, machine made
- 815 Cross stitch article, framed
- 816 Cross stitch article, any other
- 817 Tapestry, any article, long stitch
- 818 Tapestry, any other article
- 819 Embroidery, any other article, handmade
- 820 Machine Embroidery, any article
- 821 Embroidery, collection, three pieces
- 822 Embroidery, framed
- 823 Framed work with embellishments
- 824 Patchwork quilt, any size—
sponsored by Old Bonalbo Craft Group
Winner will be eligible for Group final (refer Regulations on website)
- 825 Patchwork article, any
- 826 Crochet, collection, three pieces
- 827 Kitchen crochet, collection, minimum 2 pieces
- 828 Handkerchiefs, prettiest, any method
- 829 Handtowels with fancy edging
- 830 Cushion, fancy, any design
- 831 Lavender bag, prettiest
- 832 Scissor case, any method
- 833 Bookmark
- 834 Baby's set: bonnet, jacket, booties, crochet/hand knitted
- 835 Infants booties, pair, best made

- 836 Cardigan or jumper, crochet/hand knitted
- 837 Small clothing article, crochet/hand knitted
- 838 Crochet article in wool or cotton
- 839 Crochet article by person over 70, fine
- 840 Crochet article by person over 70, in wool or cotton
- 841 Handiwork article by a person over 70
- 842 Knitted article by a person over 70
- 843 Child's clothing, sewing machine made
- 844 Adult outfit, sewing machine made
- 845 Any other garment, sewing machine made
- 846 Any other article, sewing machine made
- 847 Any garment, machine knitted
- 848 Blanket, no less than 90 cm x 90 cm, knitted
- 849 Blanket, no less than 90 cm x 90 cm, crochet

CHAMPION FOR MOST OUTSTANDING PIECE- Ceil Gambley Memorial Trophy
donated by the Gambley family

An award for the **Most Successful Exhibitor– Pavilion** will be made in the Open and Youth sections. Exhibitors must enter at least 3 sections of the relevant category (Open or Youth) to be eligible for the award.
The recipient will receive a prize donated by the Kyogle Council Mayor.

HANDICRAFTS

STEWARDS Mrs Raelene Smith

Entry \$0.50 in all sections unless otherwise stated
Prize money 1st – 2.00, 2nd - \$1.00 unless otherwise stated

- 860 Doll, best dressed, in material
- 861 Doll, best dressed, knitted
- 862 Doll, best dressed, crochet
- 863 Best dressed porcelain doll
- 864 Heirloom teddy
- 865 Coat hanger, crochet
- 866 Coat hanger, knitted
- 867 Coat hanger, any other material
- 868 Cushion, crochet
- 869 Cushion, knitted
- 870 Cushion, any other material
- 871 Toy, crochet
- 872 Toy, knitted
- 873 Toy, any other material
- 874 Novelty, crochet
- 875 Novelty, knitted
- 876 Novelty, any other material
- 877 Comfort Bears, embroidered features
(all entries to be donated to hospital) 1st - \$5.00, 2nd - \$3.00, 3rd - \$2.00
Sponsored by Old Bonalbo Craft Group
- 878 Macrame article, any
- 879 Handwoven article, any
- 880 Bed socks, pair
- 881 Scrap booking, ordinary, single page layout
- 882 Scrap booking, ordinary, double page layout
- 883 Scrap booking, any other
- 884 Handicraft article, any other
- 885 Crochet article, not mentioned in schedule
- 886 Knitted article, not mentioned in schedule
- 887 Hand spun wool,skein, 25 grams
- 888 Beaded article, any
- 889 Jewellery article, any
- 890 Lampshade, best made
- 891 Leatherwork, small article
- 892 Leatherwork, any other article
- 893 Leather collection, 3 pieces
- 894 Candlewick, any article made with
- 895 Folk art, any article
- 896 Article made of paper or cardboard
- 897 Hand felting, any
- 898 Item made of recycled materials, best made

CHAMPION IN HANDICRAFT SECTION – \$25 Donated by Short Family in memory of Ethel Short

FINE ARTS

STEWARDS Mrs Lynn Gambley, Mrs Gillian Gorry,
Exhibits for Fine Arts, Photography and Colouring In must be in the hands of the stewards by 2.00pm on Thursday 16 April 2026 or they will not be accepted.

Entry \$0.50 in all sections unless otherwise stated
Prize money 1st – 2.00, 2nd - \$1.00 unless otherwise stated

- 900 Drawing, pencil, any subject
 - 901 Drawing, using any other medium
 - 902 Portrait, any medium
 - 903 Traditional art, any medium
 - 904 Contemporary art, any medium
 - 905 Landscape, any medium
 - 906 Ceramic/clay model, baked/unbaked
 - 907 Sculpture, any medium
 - 908 Plaster model
 - 909 Working Dog, any medium
- Sponsored by Dave and Sharon Tucker, Prize Money 1st- \$10.00
CHAMPION ARTWORK - \$25

PHOTOGRAPHY

All entries may be up to A5 (21 cm x 15 cm) print. Any entry deemed to be larger than scheduled size A5, will be withdrawn from the main competition and placed in the 'oversize' section.

Prints are to be mounted on black cardboard with a 2 cm border. **Exhibitor's name, address and class number is to be recorded on the reverse side.**

Entries must be property of the exhibitor and any entry which has previously been awarded a prize at Bonalbo Show will not be accepted.

Photo subject cannot be entered in more than 1 class in schedule, ie colour in black & white or youth section. Digitally altered works are only allowed in class 922 and 941.

Entry \$1.00 in all sections unless otherwise stated
Prize money 1st – 3.00, 2nd - \$2.00 unless otherwise stated

COLOUR

- 910 Portrait, a person
- 911 People
- 912 Landscape
- 913 Sunrise/sunset
- 914 Building/s, any age or shape
- 915 Humorous any subject
- 916 Action, people
- 917 Action, animal/s (may include people)
- 918 Animal/s
- 919 Bird/s
- 920 Flower/s

- 921 Garden
- 922 Digitally manipulated, any subject
- 923 Macro, any subject
- 924 Any other subject
- 925 Any subject displaying Bonalbo and surrounding district
- 926 Any subject displaying Bonalbo Show (preferably with year taken)
Prize money – 1st - \$5.00, 2nd- \$3.00
- 927 Any subject displaying a working dog
Sponsored by Dave and Sharon Tucker, Prize Money 1st- \$5.00, 2nd - \$3.00

BLACK & WHITE

- 928 Portrait, a person
- 929 People
- 930 Landscape
- 931 Building/s, any age or shape
- 932 Action, any subject
- 933 Animal/s, may include people
- 934 Still life, any subject
- 935 Macro, any subject
- 936 Any other subject
- 937 Any subject displaying Bonalbo and surrounding district
- 938 Any subject displaying Bonalbo Show (preferably with year taken)
Prize money – 1st - \$5.00, 2nd- \$3.00

OVERSIZE SECTION

- 939 Photo larger than A5, any subject, colour
- 940 Photo larger than A5 any subject, black & white
- 941 Digitally manipulated, any subject, colour or black & white

CHAMPION PHOTOGRAPH classes 910 – 941 \$25

COLOURING IN

All entries may be up to A3 (29 cm x 42 cm), design of exhibitors choice.

- 942 Colouring in – Youth (under 18)
- 943 Colouring in – Adult
- 944 Colouring in – Senior (over 70)

WOODWORK & METALWORK

Taking into account originality, functionality of job, aesthetic value of design. Entries must be the work of the exhibitor and any entry which has previously been awarded a prize at Bonalbo Show, will not be accepted.

Entry \$1.00 in all sections unless otherwise stated
Prize money 1st – 5.00, 2nd - \$3.00 unless otherwise stated

- 945 Furniture article made from metal
- 946 Any other article made from metal
- 947 Furniture article made from wood
- 948 Any other article made from wood
- 949 Creative art, any subject - exhibits need not have any purpose or function, and may include metal, timber, plastic or glass

BEST PIECE classes 945 – 949 \$10

YOUTH SECTION

Exhibitors restricted to primary or secondary school students enrolled as at 10/04/2026

Entry FREE

Prize money – 1st - \$1.00, 2nd - \$0.50 unless otherwise stated

An award for the **Most Successful Exhibitor** – Pavilion will be made in the Youth section. Exhibitors must enter at least 3 Youth sections to be eligible for the award. The recipient will receive a prize, donated by the Kyogle Council Mayor.

VEGETABLES & FRUIT & EGGS

| | | <i>Time taken to mature</i> |
|-----|-------------------------------------|-----------------------------|
| 950 | Lettuce, any variety, one | 2 - 2 1/2 month |
| 951 | Carrot, three | 3 - 3 1/2 month |
| 952 | Pumpkin, any variety, one | 3 - 4 month |
| 953 | Silverbeet or spinach, three stalks | 1 1/2 - 2 month |
| 954 | Potato, 1kg | |
| 955 | Gramma, Jap/Kent, one | |
| 956 | Squash, any variety, one | |
| 957 | Beans, any variety, twelve | |
| 958 | Cucumber, any variety, one | |
| 959 | Tomato, any variety, three | |
| 960 | Orange, any variety, three | |
| 961 | Lemons, any variety, three | |
| 962 | Limes, any variety, three | |
| 963 | Hen eggs, half dozen | |
| 964 | Vegetable, AOV | |
| 965 | Fruit, AOV | |

DECORATIVE

Can use any embellishment

- 970 Arranged container of flowers
- 971 Buttonhole for a gentleman
- 972 'As I Like It' (arrangement)
- 973 Arrangement in miniature vase (under 5cm high, must be a vase)
- 974 Arrangement in a saucer (must be a saucer)
- 975 Succulent garden

PRESERVES

- 980 Preserves, one bottle, any variety
- 981 Jelly, one bottle, any variety
- 982 Pickles, one bottle, any variety
- 983 Jam, one bottle, any variety
- 984 Chutney, one bottle, any variety
- 985 Relish, one bottle, any variety

NEEDLEWORK & HANDICRAFT

STEWARD: Mrs Debbie Johnston

An Incentive award will be made in the Youth section, to be awarded to the Most Outstanding Entry– Needlework. All sewing articles awarded first place will be considered for this award. The recipient will receive a prize donated by Lindsay and Debbie Johnston.

PRE-SCHOOL

- 995 Handicraft article, mainly paper or cardboard
- 996 Handicraft article, any other
- 997 Article made from pipe cleaners and/or pompoms
- 998 Sand design, any

INFANTS - K & Years 1 & 2

- 1000 Handicraft article, mainly paper or cardboard
- 1001 Handicraft article, mainly fabric or yarn
- 1002 Article made from environmental or recycled material
- 1003 Article made from string or wool
- 1004 Article made from pipe cleaners and/or pompoms
- 1005 Needlework article, on fabric
- 1006 Embroidered article, any
- 1007 Sand design, any
- 1008 Woven article, any
- 1009 Bookmark, any material
- 1010 Beaded article, any
- 1011 Toy, any
- 1012 Placemat, mat or wall hanging
- 1013 Handicraft article, 3D, any subject, any material
- 1014 Handicraft article, any other

LOWER PRIMARY - Years 3 & 4

- 1020 Handicraft article, mainly paper or cardboard
- 1021 Article made from environmental or recycled material
- 1022 Article made from pipe cleaners and/or pompoms
- 1023 Placemat, mat, or wall-hanging,
- 1024
- 1025 Knitted or crochet article, any
- 1026
- 1027 Woven article, any
- 1028 Embroidered article, any other
- 1029 Leatherwork article
- 1030 Beaded article, any
- 1031 Paper mache article
- 1032 Nail and thread work, any
- 1033 Sand design
- 1034
- 1035 Bookmark, any material
- 1036 Stuffed toy
- 1037 Needlework article not listed above, any
- 1038 Handicraft article, 3D, any subject, any material
- 1039 Handicraft article, any other

UPPER PRIMARY - Years 5 & 6

- 1040 Handicraft article, mainly paper or cardboard
- 1041 Article made from environmental or recycled material
- 1042 Article made from pipe cleaners and/or pompoms
- 1043 Placemat, mat, or wall-hanging
- 1044
- 1045 Knitted article, any
- 1046 Crochet article, any
- 1047 Woven article, any
- 1048 Embroidered article, any other
- 1049 Canvas work, including tapestry and long stitch, any
- 1050 Leatherwork article
- 1051 Beaded article, any
- 1052 Scrapbooking
- 1053
- 1054 Bookmark, any material
- 1055 Stuffed toy
- 1056 Needlework article not listed above, any
- 1057 Handicraft article, 3D, any subject, any material
- 1058 Handicraft article, any other

SECONDARY

- 1060 Handicraft article, mainly paper or cardboard
- 1061 Article made from environmental or recycled material
- 1062 Knitted article, any
- 1063 Crochet article, any
- 1064 Embroidered article, any, with embellishments
- 1065 Embroidered article, any
- 1066 Tapestry, cross stitch, any
- 1067 Tapestry, long stitch, any
- 1068 Woven article, any
- 1069 Patchwork article, any
- 1070 Article of clothing, machine made
- 1071 Any other article, machine made
- 1072 String design
- 1073 Leatherwork article
- 1074 Bookmark, any material
- 1075 Prettiest lavender or potpourri article
- 1076 Any beaded article
- 1077 Scrap booking
- 1078 Paper crafts
- 1079 Stuffed toy
- 1080 Applique article, any
- 1081 Handicraft article, 3D, any subject, any material
- 1082 Handicraft article, any other
- 1083 Needlework article, not listed above

COOKING (YOUTH SECTION)

Cakes should not be iced unless stated

- 1100 Biscuits, six, one variety
- 1101 Patty cakes six, no patty papers
- 1102 Chocolate butter cake, iced
- 1103 Pikelets, on plate, six, secondary
- 1104 Pikelets, six, primary
- 1105 Scones plain six
- 1106 Scones, any other, six,
- 1107 Five minute cake
- 1108 Lamingtons, six
- 1109 Decorated biscuits, six
- 1110 Coconut ice, six pieces
- 1111 Sponge sandwich, jam filled
- 1112 Packet Cake, packet label displayed, Secondary
- 1113 Packet cake, packet label displayed, Primary
- 1114 Tea cake
- 1115 Slice, any variety, six pieces
- 1116 Damper

BEST PIECE OF YOUTH COOKING class 1100 – 1116 \$10

COMPUTER ART

Entries on A4 paper, any subject, in colour or black & white, must be the work of the exhibitor

- 1120 Computer art, any subject, preschool and kindergarten
- 1121 Computer art, any subject, primary
- 1122 Computer art, any subject, secondary

BEST PIECE OF COMPUTER ART – \$10 prize donated by Mr Paul Malt

PHOTOGRAPHY

For entry conditions see page 45

- 1123 Colour photo, person/people
- 1124 Colour photo, animal/s, may include people
- 1125 Colour photo, any other subject
- 1126 Black & white photo, person/people
- 1127 Black & white photo, animal/s may include people
- 1128 Black & white photo, any other subject
- 1129 Any photograph displaying a Working Dog

BEST PHOTO – \$10 prize donated by Mrs Kath Gambley

An award for the **Most Successful Exhibitor– Pavilion** will be made in the Open and Youth sections. Exhibitors must enter at least 3 sections of the relevant category (Open or Youth) to be eligible for the award.

The recipient will receive a prize donated by the Kyogle Council Mayor.

FINE ARTS

Exhibits must be in the hands of the stewards by 2.00 pm Thursday 16 April 2026 or they will not be accepted.

Only one entry per exhibitor per class, on no larger than A3 paper

- 1130 Painted, any subject, preschool
- 1131 Crayon, any subject, preschool
- 1132 Pencil or felt pen, any subject, preschool
- 1133 Painted, any subject, K, 1 & 2
- 1134 Crayon, any subject, K, 1 & 2
- 1135 Pencil and/or felt pen drawing, any subject, K, 1 & 2
- 1136 Painted, any subject, years 3 & 4
- 1137 Crayon, any subject, years 3 & 4
- 1138 Pencil and/or felt pen drawing, any subject, years 3 & 4
- 1139 Painted, any subject, years 5 & 6
- 1140 Crayon, any subject, years 5 & 6
- 1141 Pencil and/or felt pen drawing, any subject, years 5 & 6
- 1142 Drawing, using any medium, secondary
- 1143 Printing, best piece, K - year 4
- 1144 Printing, best piece, years 5 - 6
- 1145 Traditional art, secondary
- 1146 Painted, any subject, secondary
- 1147 Contemporary art, secondary
- 1148 Any medium, any subject, preschool
- 1149 Any medium, any subject, K, 1 & 2
- 1150 Any medium, any subject, years 3 & 4
- 1151 Any medium, any subject, years 5 & 6
- 1152 Any medium, any subject, secondary
- 1153 Construction piece, ie Lego, Duplo, any subject, preschool
- 1154 Construction piece, ie Lego, Duplo, any subject, K, 1 & 2
- 1155 Construction piece, ie Lego, Duplo, any subject, Years 3 - 6
- 1156 Construction piece, ie Lego, Duplo, any subject, secondary
- 1157 Sculpture, any, K, 1, 2, 3
- 1158 Sculpture, any, 4, 5, 6
- 1159 Sculpture, any, secondary
- 1160 Any article, baked or unbaked, K, 1 & 2
- 1161 Any article baked or unbaked, years 3 - 6
- 1162 Any article, baked or unbaked, secondary
- 1163 Poster, any subject, K, 1 & 2
- 1164 Poster, any subject, years 3 - 4
- 1165 Poster, any subject, years 5 - 6
- 1166 Poster, any subject, secondary
- 1167 Project, any subject, handwritten, K, 1 & 2
- 1168 Project, any subject, computerwritten, K, 1 & 2
- 1169 Project, any subject, handwritten, years 3 & 4
- 1170 Project, any subject, computerwritten, years 3 & 4
- 1171 Project, any subject, handwritten, years 5 & 6
- 1172 Project, any subject, computerwritten, years 5 & 6
- 1173 Project, any subject, handwritten, secondary
- 1174 Project, any subject, computerwritten, secondary

MOST COMMENDABLE PIECE IN YOUTH ART(classes 1130 – 1174) - \$10

WOODWORK & METALWORK

Exhibits to be entered in the class student is presently in. Manufactured product means eg plywood, chipboard, lamiwood etc

1175 Metalwork creation, K, 1 & 2

1176 Metalwork creation, years 3 & 4

1177 Metalwork creation, years 5 & 6

1178 Metalwork creation, years 7 & 8

1179 Metalwork job, year 9 & over

MOST COMMENDABLE PIECE OF WORK classes 1175 – 1179 \$10

1180 Woodwork job, K, 1 & 2

1181 Woodwork job, years 3 & 4

1182 Woodwork job, years 5 & 6

1183 Article made of natural timber, years 7 & 8

1184 Article made from manufactured product, years 7 & 8

1185 Article made of natural timber, years 9 & over

1186 Article made from manufactured product, year 9 & over

MOST COMMENDABLE PIECE OF WORK classes 1180 - 1186 \$10

DOLL & TEDDY SHOW

Doll and teddy clothing not necessarily home made.

1190 Bride doll

1191 Best dressed character

1192 Best dressed teddy

1193 Most loved big teddy, over 30 cm

1194 Most loved small teddy, 30 cm and under

1195 Prettiest porcelain doll, 25 cm and under

1196 Prettiest porcelain doll, over 25 cm

1197 Prettiest doll, not porcelain

1198 Most loved character

1199 Most loved doll

2000 Loveliest special doll, child to write why it is special

2001 Happiest looking doll

An award for the **Most Successful Exhibitor– Pavilion** will be made in the Open and Youth sections. Exhibitors must enter at least 3 sections of the relevant category (Open or Youth) to be eligible for the award.

The recipient will receive a prize donated by the Kyogle Council Mayor.

This page has been left blank intentionally.

**The Committee expresses its appreciation to the
following supporters who have donated
cash and/or trophies**

| | |
|--|--|
| A H Armstrong & Co | Killarney Co-op |
| D & R Amos | Kyogle Council Mayor |
| R & L Amos | Lindesay View Limousin Stud T & W McCormack |
| APL SummerCo | Brian McFarlane |
| Askew family | Paul & Michelle Malt |
| Beacom family | MJS Tipping |
| Big Sky Alpacas | MPulse PEMF Therapy |
| Bonalbo Bowling & Recreation Club | Norco Rural Casino |
| Bonalbo Show Catering Committee | North Coast Tack Shop |
| Bonalbo Uniting Church | Nutrien Ag Solutions Casino |
| Casino Food Company | Old Bonalbo Craft Group |
| Champions Choice Browbands | Pezzutti Family |
| Rob Allan Chiropractor | Pinkertons Casino |
| Culmaran Pines | Pocupar Poll Herefords |
| Simmental/Fleckvieh Stud | Mrs E Ramsay |
| Devantier Family | Ramsey & Bulmer Livestock |
| FoodWorks Bonalbo | Ramsey family Casino |
| Gambley Family | Ray White Casino & Kyogle |
| Mrs Kath Gambley | Riverina Stock Feeds |
| George & Fuhrmann | Malcolm Searle |
| Horseland Lismore | Short Family |
| JHG Civil | Stonebridge Droughtmasters |
| Donald & Elizabeth Johnston | Tookawhile Charolais and Show Steers |
| Lindsay & Debbie Johnston | Dave and Sharon Tucker |
| Killarney Vet Surgery | Mrs Waller & Family |

Ramsey & Bulmer

Licensed Auctioneers and Livestock Agents

ABN 35 978 685 118

92 Walker St, Casino NSW 2470. P O Box 1222, Casino NSW 2470

Phone (02) 66626662

admin@ramseybulmer.com.au, office@ramseybulmer.com.au

***Licensed Local Livestock, Stock & Station Auctioneers
offering expert marketing advice to the livestock
producers of the Northern Rivers and beyond.***



Weekly Fat Sales at Casino Selling Complex, NRLX
February Breeder Sale
Monthly & Fortnightly Store Sales
Direct Consignments to Operators
Stud Sales & Clearing Sales
Auctions Plus + other online selling platforms

For weekly market reports and forthcoming sale information visit –



www.ramseybulmer.com.au



Ramsey & Bulmer

Allen Ramsey

Mobile: 0428 664 927

Wayne Bulmer

Mobile: 0428 661 167

Steve Davis

Mobile: 0429 623 066