

# 96TH ANNUAL BONALBO SHOW

17<sup>TH</sup> & 18<sup>TH</sup> APRIL 2026

HORSE EVENT SCHEDULE



*Bonalbo  
Centenary  
Show*

*1926 - 2026*

**BONALBO SHOWGROUNDS**

**MAIN RD, BONALBO**

[www.bonalboshow.com.au](http://www.bonalboshow.com.au)

# Bonalbo Show Society Inc

## Honorary Life Members

Mrs Gillian Perrett, Mrs Joy Whitney, Mrs Margaret Vary,  
Mr John Clarke, Mrs Dot Clarke,  
Mr Donald Johnston, Mrs Elizabeth Johnston,  
Mr Kevin Gambley, Mrs Lyn Gambley, Mr Walter Whitney

## Paid Life Members

Ken and Jan Vary.

## Office Bearers - 2026

President	Secretary	Treasurer
David Whitney	Michelle Malt	Todd Weston
0427 707165	0438 103310	

Vice Presidents: James Fraser, Tom Amos, Owen Osborne

## Committee Members - 2026

Darryl Amos, Jarrod Hodges, Donald Johnston,  
Paul Johnston Snr, Clive Newton, Chris Whitney, Joy Whitney.

WORKING DOGS      HORSES      CATTLE  
POULTRY PAVILION

LIVESTOCK DISPLAYS AND DEMONSTRATIONS  
TRADE STALLS      FREE ENTERTAINMENT  
CHILDRENS ACTIVITIES  
LUNCHEON PAVILION - BBQ

## Showground PIC No: NA 122376

**NOTE: Any dog brought onto the showground  
must be under strict control and will be  
the responsibility of the owner**

President  
David Whitney  
"Wonga Park"  
Old Bonalbo, 2469  
0427 707165

Secretary  
Michelle Malt  
43 Murphys Rd  
Old Bonalbo, 2469  
0438 103310

[www.bonalboshow.com.au](http://www.bonalboshow.com.au)  
E: [secretary@bonalboshow.com.au](mailto:secretary@bonalboshow.com.au)

## PRESIDENTS MESSAGE

On behalf of the committee it is my pleasure to present the 96th Bonalbo Show as a salute to the agriculture and rural endeavours of our community. Each year we aim to provide an event for the local district that offers something of interest to everyone. Our show would not be possible without the support of our exhibitors, our hard-working volunteers, and our generous sponsors, and we extend our thanks to them for their continued involvement.

David Whitney

**ANNUAL MEMBERSHIP:** (Commences 1 April) \$ 5.00

## ADMISSION CHARGES

Friday	2 May		Free entry
Saturday	18 April	Adults (over 18 years)	\$10.00
		Children under 12 years	Free entry
		Children over 12 under 18 years	\$3.00
		Seniors Card Holders	\$5.00

## PROGRAMME

Friday	2 May	Dog trials	from 6.30 am
		Pavilion judging	10.30 am
Saturday	18 April	Horse events.	Ring 1 from 8.00 am
		Poultry judging	8.30 am
		Led cattle judging	9.00 am
		Bush pony classes	9.00 am
		Miniature Goat & Sheep judging	9.00 am
		Pen cattle judging	9.30 am
		Bonalbo Show Jumps	9.30 am
		Official Opening followed by Grand Parade	
		Young Farmers Challenge	
		Entertainment at the Bar from	3.00pm
		Pavilion closes	3.00pm
		Pavilion entries to be collected	3.30-4.00pm
		Show closes	6.00pm

### Bonalbo Show YOUNG FARMERS CHALLENGE Competition

The Young Farmers Challenge competition is open to teams of four people, teams must have at least one representative from each gender.

The winning senior team will be eligible to compete in the Group final held later in the year. The challenge provides the opportunity for young farmers to demonstrate their expertise in a series of on-farm challenges showcasing the depth of knowledge and technical skills required in agriculture today. These challenges can be anything from animal handling to fencing, driving tractors, putting out fires, first aid, heavy lifting and transport challenges.

The event will be held near the Bar and BBQ following the Official Opening of the Show.

FREE ENTRY - get your team of 4 together now.

Prize Money: 1<sup>st</sup> place team - \$50; 2<sup>nd</sup> place team \$30; 3<sup>rd</sup> place team \$20.

Sponsored by MJS Tipping

For more information, event guidelines are available on the Bonalbo Show website ([www.bonalboshow.com.au](http://www.bonalboshow.com.au))

## EXHIBITORS AND COMPETITORS GUIDE

Closing dates for entries will be strictly observed and no late entries will be accepted.

The judges' decision in all classes shall be final.

Entry details must be completed before competing.

Drug testing may be carried out at this Show. Any competitor found to have breached the ASC disputes and disciplinary regulations will be investigated by the ASC Disciplinary Committee.

The committee's decision in all matters of dispute shall be final.

Stallions cannot compete in riding and hack classes unless otherwise stated in the schedule.

**RISK WARNING:** Bonalbo Show as an affiliated member of the Agricultural Societies Council of New South Wales advises exhibitors and competitors in all sections that the participation, including passive participation, in events or activities at an agricultural show contains elements of risk, both obvious and inherent; and that they agree to participate entirely at their own risk and the Society is not responsible for any injury, damage or loss sustained by an exhibitor or competitor.

All competitors must complete and sign the waiver form (located on the Bonalbo Show website) and obtain a wristband prior to competing. Wristbands must be worn at all times or competitors will be asked to leave the competition area.

**IMPORTANT:** Please note that a competitor cannot submit a fillable PDF form to a Show Society via email. The forms are only valid when there is a physical signature present on it. The form must be printed, brought to the show and signed on the day.

**PIC numbers:** a Property Identification Code is mandatory for all properties carrying livestock. In accordance with ASC guidelines every exhibitor bringing livestock to the show will be required to list each animal being shown together with the PIC for the property from which it has come on the Waiver form before competing.

**Health Status:** Vaccination against the Hendra virus is not mandatory, however Bonalbo Show Society strongly supports the voluntary vaccination of horses. All exhibitors declare to the best of their knowledge that their horse is healthy and fit to be shown. A Horse Health Declaration form must be completed and submitted.

**Electric Fences (Electrified Tape) for temporary enclosures for horses on Showgrounds:** use of electric fencing is not permitted at the Bonalbo Show.

**Interstate border crossing:** competitors travelling from interstate to participate in events at Bonalbo Showgrounds are reminded that it is their obligation to comply with the relevant requirements for livestock movements and border crossings. Details available at <https://www.dpi.nsw.gov.au/biosecurity/managing-biosecurity>

## **HORSE SECTION – Regulations**

All horse competitions at this show are governed by these regulations and by the AgShows NSW Rules for Discipline in Horse Sections at Shows which can be viewed at [www.agshowsnsw.org.au](http://www.agshowsnsw.org.au). Should it become necessary for the AgShows NSW Disciplinary Committee to open an inquiry into any aspect of competition in this Horse Section, this Society will support any penalty imposed by that Committee as a result of the inquiry and will support penalties resulting from enquiries arising from Horse Sections at other NSW shows.

### **COMPETITION RULES**

All Horse Competitions will be conducted under approved Peak Body and Breed Society Registration Rules and Regulations.

**INDEMNITY AND WAIVER FORMS:** The Horse Committee will take all care in managing the Section, but competitors taking part in this Horse Section do so at their own risk. Each adult competitor must, before competing, complete and sign a form indemnifying the Insert Name of Show Society Show Society and waiving any claims against the Society for any injury sustained in competition or for loss or damage to the competitor's property or damage caused by the competitor or his/her animal(s) at the

Show. A similar form must also be completed and signed by a parent or guardian for each competitor who is under 18 years of age. ALSO, all competitors must complete a Horse Health Declaration, each horse with which the competitor has bought onto the Showgrounds must be listed together with the Property Identification Code (PIC) of the property from which the horse came to the Show. If the Show Society has introduced online entries, it is possible to electronically sign a Waiver and Horse Health

Declaration (by ticking a box) at point of entry.

*Under Saddle Age Limit:* AgShows NSW recommends a lower age limit of 3 years of age (as at the date of the competition) for leading rein and 5 years of age for independent riding.

*Refusal of Entry/Alteration of Schedule/Prizes:* The committee reserves the right to refuse an entry without assigning any reason for doing so and to alter the schedule to meet emerging circumstances. The Society is not responsible for the non-delivery of sponsor's trophies/prizes. Should there be any reason to suspect that any exhibit is either diseased or dangerous, the Society reserves the right to isolate, refuse entry to and/or remove the exhibit from the ground at the expense of the exhibitor.

*Judge's Decision/Discretion:* The judge is empowered to withhold any or all prizes in any class where the exhibits are, in his/her opinion, unworthy of the prize, and always the judge's decision will be final. A judge has the discretion to ask that a led or performance exhibit and handler / rider / driver be ordered to leave the ring if he/she considers the animal is unruly and/or likely to cause an accident

*District/Local Classes:* Horses and/or riders must have been resident for at least three months prior to the show within a 50-kilometre radius of the Showground.

*Novice Class Eligibility:* A Novice has not won a First Place at any Show in a similar class.

*Ridden Show Hunters and Ridden Show Hacks:* At the beginning of each calendar year an exhibitor MUST choose the category for their exhibit, EITHER Show Hunter

or Show Hack, when competing at an AgShows NSW Affiliated Agricultural Show or supplementary event.

*Stallions:* Led Stallions and Colts must be wearing a bit at all times (unless Breed Society rules specify otherwise). Stallions and Colts must be under the control of a person 17 years of age or older (proof of age of handler may be requested). They must always be supervised and securely fastened when tied to the outside of a truck or float. They are not eligible to compete in ridden classes unless their eligibility is specifically stated in the schedule.

*Ponies with Adult Riders:* Ponies may be ridden by adults unless otherwise stated in the schedule.

*Lateness to the Ring:* Competitors must be ready when called. Once judging has commenced, a competing horse shall not be led, ridden, or driven into or out of the judging ring without the permission of the judge and/or the Ringmaster or Chief Steward.

*Leaving the Ring:* If a led horse should drag or escape its handler or a ridden or driven horse takes control of or unseat its rider and leave the ring, it is usually disqualified from the class.

*Horse Measuring:* No official measuring will take place at the show, but, if a question about height arises, proof of height may be required. In the absence of proof, a decision will be at the absolute discretion of the Ring Master or Chief Steward.

*Breed Registration:* Registration documents for horses in breed classes must be produced when required by a Steward. It is the competitor/owner's responsibility to ensure relevant memberships for their exhibits Breed society or registry is financial at time of competition.

*Attire:* Competitors must be appropriately attired for the competition in which they are competing.

*Helmets:* Every rider is encouraged to wear a safety helmet compliant with the current Australian Standard. Riders under 18 years must wear such a helmet. Some EA affiliated events require Rider's helmets to be tagged prior to competition.

*Footwear:* All competitors must wear appropriate footwear when leading or riding a horse. When riding, the footwear must enable removal of the foot from the stirrup.

*Cruelty:* Persons who are considered by the Ringmaster or Chief Steward to be abusive or cruel to a horse will be expelled from the ground. No horse will be permitted to compete if, in the opinion of the Ringmaster or Chief Steward, it is in poor health or condition.

*Drugs:* Drug testing may be carried out at this show. Any competitor found to have breached the AgShows NSW disputes & disciplinary regulation will be investigated by the AgShows NSW disciplinary committee.

*Approaching Judges:* No exhibitor or associate will initiate conversation with a judge on judging day, before, during or after judging except through the Ringmaster or Chief Steward.

*Prohibited Relationship:* No competitor will present for judging before a judge with whom he/she has a family relationship, has, or has recently had a personal relationship or has had horse related business dealings during the past twelve months.

*Coaching:* Any person detected coaching a competitor while that competitor is being judged may be removed from the Showground.

*Proper Conduct:* Any person who behaves offensively on the Showground may be expelled from the ground. The matter may be investigated by this Show Society and/or the AgShows NSW Disciplinary Committee and penalties may be imposed.

*Protests:* A protest or complaint against any exhibit or exhibitor may be lodged verbally with the Ringmaster or Chief Steward no later than ten minutes after the judging of the exhibit or exhibitor. The Ringmaster or Chief Steward must be provided with the exact nature of the complaint and act, if necessary, to maintain competitive fairness. The Ringmaster or Chief Steward may choose to refer the matter to the Protests Committee, which shall comprise the President of the Society, or a Vice President and two other members of the General Committee. A protest or complaint or an appeal against the decision of the Ringmaster or Chief Steward may be lodged in writing with the Secretary no later than 10 pm on the day of judging. Such protest, complaint or appeal shall be accompanied by a deposit of \$50 which shall be forfeited if the protest, complaint, or appeal proves to be frivolous or vexatious. A matter lodged this way shall be dealt with by the Protests Committee within 24 hours of lodgement and the decision of the Protest Committee shall be final. NB: No protest or complaint will be considered if it refers simply to a judge's decision.

*Veterinary Costs:* In the case of an exhibit requiring veterinary inspection/treatment whilst at this event exhibitors agree that all costs incurred are their responsibility.

*Age of Horses:* The age of all horses shall be calculated from 1st August in the year in which it was foaled.

*Attire and Presentation:* The appropriate level of attire and presentation is required for the competition entered. For example, Horse Shows promoted as a "T shirt, no plating shows, or similar" will not be eligible for performance at Sydney Royal.

**SATURDAY 18 April 2026**  
**HORSES - THREE RING FEATURE PROGRAM**

CHIEF STEWARD Owen Osborne Ph 0488 147923  
ASSISTANTS Merlene Allen, Eleanor Ramsay, Sharon Tucker,  
Stephen Barrett

**Ring No 1 Start 8.00 am**

Entry \$3.00; Pairs \$3.00 per entry. No refunds.  
Entry tickets will be available at booth at Main Ring gate and presented by the competitor to the Steward prior to entering the Ring.

A Waiver form must be signed by all competitors, a parent/guardian is to sign for competitors under 18 years. Wrist band to be worn AT ALL TIMES otherwise competitors will be asked to leave the ring and prizes will be forfeited.

*IMPORTANT:* Please note that a competitor cannot submit a fillable PDF form to a Show Society via email. The forms are only valid when there is a physical signature present on it. The form must be printed, brought to the show and signed on the day.

Upon achieving an Open Ridden Championship in one ring, any horse/ pony is not eligible to compete in any further saddle (ridden) classes on the day, apart from the Supreme Champion Horse to be Ridden.

Prize Money 1<sup>st</sup> - \$8.00; 2<sup>nd</sup> - \$4.00, 3<sup>rd</sup> - ribbon

**AUSTRALIAN STOCK HORSE to be LED**

Horses must be registered with the ASH Association

H101 ASH Stallion 3 years & over  
H102 ASH Colt 2 years & under 3 years  
H103 ASH Colt 1 year & under 2 years  
H104 ASH Yearling - Colt, Filly or Gelding

CHAMPION ASH STALLION OR COLT – Ribbon + \$10.00  
RESERVE CHAMPION ASH STALLION OR COLT – Ribbon

H105 ASH Gelding 3 years & under  
H106 ASH Gelding over 3 years

CHAMPION ASH GELDING - Ribbon + \$10.00  
RESERVE CHAMPION ASH GELDING - Ribbon

H107 ASH Mare 3 years & over, under 15 hh  
H108 ASH Mare 3 years & over, 15 hh & over  
H109 ASH Filly 2 years & under

CHAMPION ASH MARE OR FILLY – Ribbon + \$10.00  
RESERVE CHAMPION ASH MARE OR FILLY - Ribbon

**SUPREME CHAMPION AUSTRALIAN STOCK HORSE LED – Garland + \$50.00**  
Sponsored by the Devantier family

- H110 ASH SIRES PROGENY – 2 by the same sire
- H111 ASH DAMS PROGENY – 2 from the same dam
- H112 ASH OWNERS PROGENY – 2 animals owned and bred by the same exhibitor

**AUSTRALIAN STOCK HORSE - WORKING**

Horses must be registered with the ASH Association

- H113 ASH Stallion/Colt
- H114 ASH Mare
- H115 ASH Gelding
- H116 ASH Youth under 17 years

CHAMPION ASH WORKING - Ribbon + \$10.00 + Trophy rug  
RESERVE CHAMPION ASH WORKING - Ribbon  
Sponsored by the Devantier family

**AUSTRALIAN STOCK HORSE - RIDDEN**

Horses must be registered with the ASH Association

- H117 ASH Hack Stallion
- H118 ASH Hack Mare
- H119 ASH Hack Gelding
- H120 ASH Hack ridden by a Junior under 17 years
- H121 Ladies Hack
- H122 Gentleman's Hack

CHAMPION ASH HACK (classes 18 - 22 only) - Ribbon + \$10.00 + Trophy rug  
RESERVE CHAMPION ASH HACK - Ribbon  
Sponsored by the Devantier family

**SUPREME CHAMPION AUSTRALIAN STOCK HORSE RIDDEN** – Garland + \$50.00

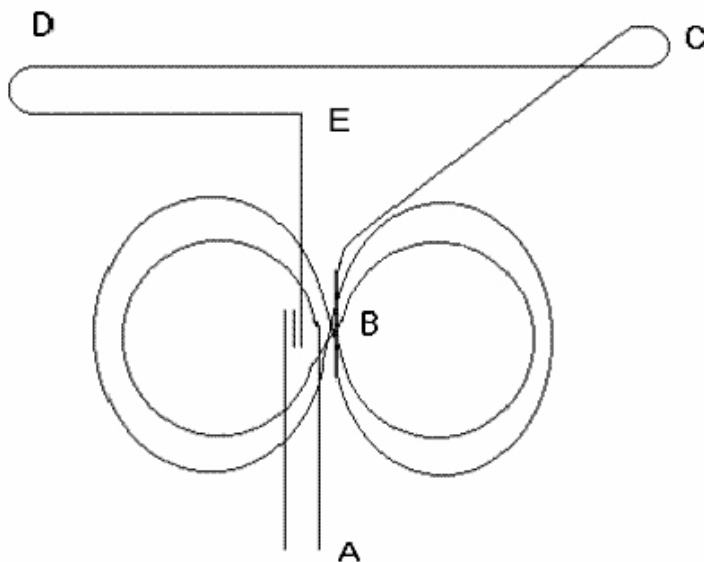
**H130 Jim Brown Memorial Stock Horse under Saddle - to be tested.**

Open to all breeds.

Perpetual trophy and prize money donated by Mr Malcolm Searle, nephew of Jim Brown.

Prize Money 1<sup>st</sup> - \$75.00; 2<sup>nd</sup> - \$50.00, 3<sup>rd</sup> - \$25.00, 4<sup>th</sup> - \$15.00, 5<sup>th</sup> - \$10.00

The horse is tested by: opening a gate 10 pts, carrying a coat 10 pts, dismount 10 pts, lead horse in trot 10 pts, remount 10 pts, fast workout as per diagram 100 pts.



Walk to B, trot circle to left, canter circle to right, simple change at B, canter circle to left, flying change at B, fast canter circle to right and continue to C, haunch turn to right, fast canter to D, haunch turn to left, fast canter to E and halt. Trot to B, halt and rein-back 3-5 paces, walk horse forward to original position. Return to A on a light rein and halt.

**ANSA RIDDEN HORSE**

- H140 ANSA Mare or Gelding 14 to 15.2 hh
- H141 ANSA Mare or Gelding 15.2 hh and over

CHAMPION RIDDEN ANSA HORSE - Ribbon + \$10.00  
RESERVE CHAMPION RIDDEN ANSA HORSE - Ribbon

- H142 Open Lady Rider 17 years and under 21
- H143 Open Lady Rider 21 years and under 40
- H144 Open Lady Rider over 40 years

CHAMPION OPEN LADY RIDER (classes H142 – H144 only) - Ribbon + \$10.00  
RESERVE CHAMPION OPEN LADY RIDER (classes H142 – H144 only) - Ribbon

- H145 Open Gentleman Rider 17 years and under 21
- H146 Open Gentleman Rider 21 years and under 40
- H147 Open Gentleman Rider over 40 years

CHAMPION OPEN GENTLEMAN RIDER (classes H145 – H147 only) - Ribbon + \$10.00  
RESERVE CHAMPION OPEN GENTLEMAN RIDER (classes H145 – H147 only) - Ribbon

## Ring No 2 Start 8.00 am

Entry \$3.00; Pairs \$3.00 per entry. No refunds.

Entry tickets will be available at booth at Main Ring gate and presented by the competitor to the Steward prior to entering the Ring.

A Waiver form must be signed by all competitors, a parent/guardian is to sign for competitors under 18 years. Wrist band to be worn AT ALL TIMES otherwise competitors will be asked to leave the ring and prizes will be forfeited.

**IMPORTANT:** Please note that a competitor cannot submit a fillable PDF form via email. The forms are only valid when there is a physical signature present on it. The form must be printed, brought to the show and signed on the day.

Upon achieving an Open Ridden Championship in one ring, any horse/ pony is not eligible to compete in any further saddle (ridden) classes on the day, apart from the Supreme Champion Horse to be Ridden.

Prize money 1<sup>st</sup> \$8.00, 2<sup>nd</sup> \$4.00, 3<sup>rd</sup> ribbon

### **PONY to be LED (open to all ponies)**

H201	Pony Mare	under 12 hh
H202	Pony Mare	12 hh not exceeding 13 hh
H203	Pony Mare	13 hh not exceeding 14 hh
H204	Pony Gelding	under 12 hh
H205	Pony Gelding	12 hh not exceeding 13 hh
H206	Pony Gelding	13 hh not exceeding 14 hh

CHAMPION PONY MARE OR GELDING to be LED - Ribbon + \$10.00

RESERVE CHAMPION PONY MARE OR GELDING to be LED - Ribbon

### **AUSTRALIAN SADDLE PONY to be LED**

Ponies must be registered with the Australian Saddle Pony Association Ltd and exhibitors must be current financial members. Certificates and cards to be made available on request.

H207	ASP Stallion	not exceeding 14.2 hh
H208	ASP Mare	not exceeding 14.2 hh
H209	ASP Gelding	not exceeding 14.2 hh

CHAMPION ASPA to be LED - Ribbon + \$10.00

RESERVE CHAMPION ASPA to be LED – Ribbon

### **SUPREME CHAMPION PONY to be LED – Garland and Prize**

### **THOROUGHBRED to be LED**

H210	Thoroughbred Stallion
H211	Thoroughbred Mare or Filly
H212	Thoroughbred Gelding

CHAMPION THOROUGHBRED – Ribbon + \$10.00

RESERVE CHAMPION - Ribbon

### **GALLOWAY to be LED**

H213 Galloway Mare 14 hh to 14.2 hh  
H214 Galloway Gelding 14 hh to 14.2 hh  
H215 Galloway Mare 14.2 hh to 15 hh  
H216 Galloway Gelding 14.2 hh to 15 hh

CHAMPION GALLOWAY to be LED - Ribbon + \$10.00  
RESERVE CHAMPION GALLOWAY to be LED - Ribbon

### **ANSA SADDLE HORSE to be LED**

Horses must be registered with ANSA Saddle Horse Association

H217 ANSA Stallion or Colt  
H218 ANSA Mare 14 hh to 15.2 hh  
H219 ANSA Mare over 15.2 hh  
H220 ANSA Gelding 14 hh to 15.2 hh  
H221 ANSA Gelding 15.2 hh and over

CHAMPION ANSA to be LED - Ribbon + \$10.00  
RESERVE CHAMPION ANSA to be LED - Ribbon

### **SUPREME CHAMPION ALL BREED HORSE to be LED – Garland and Prize**

#### **RIDING CLASSES**

H222 Tiny Tots Under 6 years  
H223 Girl Rider 6 years & under 9 years  
H224 Girl Rider 9 years & under 12 years

CHAMPION JUNIOR GIRL RIDER UNDER 12 YEARS - Ribbon  
RESERVE CHAMPION JUNIOR GIRL RIDER UNDER 12 YEARS - Ribbon

H225 Girl Rider 12 years & under 15 years  
H226 Girl Rider 15 years & under 17 years

CHAMPION SENIOR GIRL RIDER 12 - 17 YEARS - Ribbon  
RESERVE CHAMPION SENIOR GIRL RIDER 12 - 18 YEARS - Ribbon

H227 Boy Rider 6 years & under 9 years  
H228 Boy Rider 9 years & under 12 years

CHAMPION JUNIOR BOY RIDER UNDER 12 YEARS - Ribbon  
RESERVE CHAMPION JUNIOR BOY RIDER UNDER 12 YEARS - Ribbon

H229 Boy Rider 12 years & under 15 years  
H230 Boy Rider 15 years & under 17 years

CHAMPION SENIOR BOY RIDER 12 - 17 YEARS - Ribbon  
RESERVE CHAMPION SENIOR BOY RIDER 12 - 17 YEARS - Ribbon

### **GALLOWAY to be RIDDEN**

H231 Maiden Galloway 14 to 15 hh  
H232 Novice Galloway 14 to 14.2 hh  
H233 Open Galloway 14 to 14.2 hh  
H234 Novice Galloway 14.2 to 15 hh  
H235 Open Galloway 14.2 to 15 hh

CHAMPION GALLOWAY to be RIDDEN - Prize donated by the Ramsey family  
RESERVE CHAMPION GALLOWAY to be RIDDEN - Ribbon

H236 Lady's Galloway  
H237 Pair of Galloways  
H238 Pleasure Galloway

### **AUSTRALIAN SADDLE PONY to be RIDDEN**

Ponies must be registered with the Australian Saddle Pony Association Ltd and exhibitors must be current financial members. Certificates and cards to be made available on request.

H239 ASPA Stallion not exceeding 14.2 hh  
H240 ASPA Mare or Gelding not exceeding 13 hh  
H241 ASPA Mare or Gelding 13 hh not exceeding 14.2 hh

CHAMPION ASPA to be RIDDEN - Ribbon + \$10.00  
RESERVE CHAMPION ASPA to be RIDDEN - Ribbon

### **OFF THE TRACK**

H243 Newcomer  
H244 Open Off The Track

CHAMPION OFF THE TRACK - Ribbon + \$10.00  
RESERVE CHAMPION OFF THE TRACK - Ribbon

### **HACK**

H245 Maiden Hack  
H246 Novice Hack  
  
H247 Hack 15.2 hh not exceeding 16 hh  
H248 Hack 16 hh not exceeding 16.2 hh  
H249 Hack 16.2 hh and over  
H250 Ladies Hack  
H251 Gentleman's Hack  
H252 Child's Hack

CHAMPION HACK (classes H246 – H251 only) - Ribbon + \$10.00  
RESERVE CHAMPION HACK (classes H246 – H251 only) – Ribbon

### **PONY to be RIDDEN**

H255 Maiden Pony Hack  
H256 Novice Pony Hack

H257 Open Pony Hack under 11.2 hh  
H258 Open Pony Hack 11.2 hh not exceeding 12hh  
H259 Open Pony Hack 12hh not exceeding 12.2 hh  
H260 Childs Pony under 12.2 hh

CHAMPION PONY UNDER 12.2hh (classes H257 – H260 only) – Ribbon + \$10.00  
RESERVE CHAMPION PONY UNDER 12.2hh (classes H257 – H260 only) - Ribbon

H261 Open Pony Hack 12.2 hh not exceeding 13 hh  
H262 Open Pony Hack 13 hh not exceeding 13.2 hh  
H263 Open Pony Hack 13.2 hh not exceeding 14 hh  
H264 Childs Pony under 14hh

CHAMPION PONY UNDER 14hh (classes H261 – H264 only) - Ribbon + \$10.00  
RESERVE CHAMPION PONY UNDER 14hh (classes H261 – H264 only) - Ribbon

### **SHOW HUNTER HACKS**

H270 Show Hunter Hack 15 hh not exceeding 15.2hh  
H271 Show Hunter Hack 15.2hh not exceeding 16 hh  
H272 Show Hunter Hack 16 hh and over

CHAMPION SHOW HUNTER HACK (classes H270-H272 only) - Ribbon + \$10.00  
RESERVE CHAMPION SHOW HUNTER HACK (classes H270-H272 only) - Ribbon

### **SHOW HUNTER PONIES**

H273 Show Hunter Pony not exceeding 12hh  
H274 Show Hunter Pony 12hh not exceeding 13hh  
H275 Show Hunter Pony 13hh not exceeding 14hh

CHAMPION SHOW HUNTER PONY (classes H273-H275 only) - Ribbon + \$10.00  
RESERVE CHAMPION SHOW HUNTER PONY (classes H273-H275 only) - Ribbon

### **SHOW HUNTER GALLOWAYS**

H276 Hunter Galloway 14 hh not exceeding 14.2 hh  
H277 Hunter Galloway 14.2 hh not exceeding 15 hh

CHAMPION HUNTER GALLOWAY (classes H276-H277 only) - Ribbon + \$10.00  
RESERVE CHAMPION HUNTER GALLOWAY (classes H276-H277 only) - Ribbon

**SUPREME CHAMPION HUNTER** – Garland donated by Champions Choice  
Browbands + Prize

**SUPREME CHAMPION HORSE to be RIDDEN** – Garland and Prize donated by  
Eleanor Ramsay

This page has been left blank intentionally

### **Ring No 3 Start 8.30 am**

Entry \$3.00  
Pairs \$3.00 per entry  
No refunds

Entry tickets will be available at the booth at Main Ring gate and presented by the competitor to the Steward prior to entering the Ring.

Prize money 1<sup>st</sup> \$8.00, 2<sup>nd</sup> \$4.00, 3<sup>rd</sup> ribbon

A Waiver form must be signed by all competitors, a parent/guardian is to sign for competitors under 18 years. Wristband to be worn AT ALL TIMES otherwise competitors will be asked to leave the ring and prizes will be forfeited.

**IMPORTANT:** Please note that a competitor cannot submit a fillable PDF form to a Show Society via email. The forms are only valid when there is a physical signature present on it. The form must be printed, brought to the show and signed on the day. Upon achieving an Open Ridden Championship in one ring, any horse/ pony is not eligible to compete in any further saddle (ridden) classes on the day, apart from the Supreme Champion Horse to be Ridden.

H301 Best Presented Western / Coloured Exhibit led (English or Western Attire)

#### **QUARTER HORSE to be LED**

H302 Led Colt 4 years & under  
H303 Led Stallion over 4 years  
H304 Led Filly 4 years & under  
H305 Led Mare over 4 years  
H306 Led Gelding

CHAMPION QUARTER HORSE LED - Ribbon  
RESERVE CHAMPION QUARTER HORSE LED - Ribbon

#### **PAINT HORSE to be LED**

H307 Led Colt 4 years & under  
H308 Led Stallion over 4 years  
H309 Led Filly 4 years & under  
H310 Led Mare over 4 years  
H311 Led Gelding

CHAMPION PAINT HORSE LED - Ribbon  
RESERVE CHAMPION PAINT HORSE LED - Ribbon

**Registered Western Bred HORSE to be LED  
(Not Already Shown)**

H312 Led Colt 4 years & under  
H313 Led Stallion over 4 years  
H314 Led Filly 4 years & under  
H315 Led Mare over 4 years  
H316 Led Gelding

CHAMPION HORSE LED - Ribbon  
RESERVE CHAMPION HORSE LED - Ribbon

**PINTO to be LED**

H317 Led Pinto Pony ne 14hh  
H318 Led Pinto Galloway Over 14hh ne 15hh  
H319 Led Pinto Hack Over 15hh

CHAMPION PINTO LED - Ribbon  
RESERVE CHAMPION PINTO LED - Ribbon

**DILUTE to be LED**

H320 Palomino Best Mane & Tail - Not Eligible for Champion  
H321 Palomino Best Coat Colour - Not Eligible for Champion

H322 Led Dilute Stallion or Colt  
H323 Led Dilute Mare or Filly  
H324 Led Dilute Gelding

CHAMPION DILUTES LED - Ribbon  
RESERVE CHAMPION DILUTES LED - Ribbon

**Unregistered Brumby Horse to be LED**

H325 Led Stallion or Colt  
H326 Led Mare or Filly  
H327 Led Gelding

CHAMPION BRUMBY LED - Ribbon  
RESERVE CHAMPION BRUMBY LED - Ribbon

**Ridden Western / Coloured Bred Horses  
Western or English Attire**

TO BE JUDGED ON PRESENTATION.

H330 \* Best Presented Western or Coloured Horse and Rider - Western Attire

H331 \* Best Presented Western or Coloured Horse and Rider - English Attire

\* Not Eligible for Champion

H332 Ridden Registered Quarter Horse

H333 Ridden Registered Paint Horse

H334 Ridden Registered Pinto Horse

H335 Ridden Registered Dilute Horse

H336 Ridden Any other Registered Western or Coloured Horse

H337 Ridden Brumby

CHAMPION HORSE RIDDEN - Ribbon

RESERVE CHAMPION HORSE RIDDEN - Ribbon

**LED – Any Other Breed**

Open to horses that haven't entered any other Led Classes

H340 Led Filly 3 years & under

H341 Led Mare 4 years & over

H342 Led Gelding 3 years & under

H343 Led Gelding 4 years & over

CHAMPION LED ANY OTHER BREED - Ribbon

RESERVE CHAMPION LED ANY OTHER BREED - Ribbon

**RIDDEN – Any Other Breed**

Open to horses that haven't entered any other Ridden Classes

H344 Mare or Filly

H345 Gelding

CHAMPION RIDDEN ANY OTHER BREED - Ribbon

RESERVE CHAMPION RIDDEN ANY OTHER BREED - Ribbon

## **BUSH PONY & SPORTING EVENT CLASSES**

**Start time 9.00am**

CHIEF STEWARD Owen Osborne Ph 0488 147923

ASSISTANTS Stephen Barrett, Rhonda Barrett.

Entry \$3.00; Pairs \$3.00 per entry. No refunds.

Entry tickets will be available at booth at Main Ring gate and presented by the competitor to the Steward prior to entering the Ring.

A Waiver form must be signed by all competitors, a parent/guardian is to sign for competitors under 18 years. Wrist band to be worn AT ALL TIMES otherwise competitors will be asked to leave the ring and prizes will be forfeited.

Bush pony is for riders and horses that do not compete in any other riding or horse events at this show. (except class 180 Pony Club jump and Sporting Events)

Prize money 1<sup>st</sup> \$8.00, 2<sup>nd</sup> \$4.00, 3<sup>rd</sup> ribbon

130 Best Child's Pony any age under 12 hh to be led

131 Best Child's Pony any age 12 hh and over to be led

132 Best Child's Horse any age to be led

133 Boy Rider under 6 years

134 Girl Rider under 6 years

MRS DRAKE MEMORIAL TROPHY for child under 6 years

135 Boy Rider 6 years & under 10 years

136 Girl Rider 6 years & under 10 years

137 Boy Rider 10 years & under 12 years

138 Girl Rider 10 years & under 12 years

MRS DRAKE MEMORIAL TROPHY for child 6 years & under 12 years

139 Boy Rider 12 years & under 14 years

140 Girl Rider 12 years & under 14 years

141 Boy Rider 14 years & under 18 years

142 Girl Rider 14 years & under 18 years

MRS DRAKE MEMORIAL TROPHY for child 12 years & under 18 years

143 Bush Pony Fancy Dress

### **SPORTING EVENTS**

144 Bending Race under 10 years

145 Bending Race 10 years & under 12 years

146 Bending Race 12 years & under 14 years

147 Bending Race 14 years & under 18 years

148 Flag Race under 10 years

149 Flag Race 10 years & under 12 years

150 Flag Race 12 years & under 14 years

151 Flag Race 14 years & under 18 years

152 Barrel Race under 10 years

153 Barrel Race 10 years & under 12 years

154 Barrel Race 12 years & under 14 years

155 Barrel Race 14 years & under 18 years

This page has been left blank intentionally

This page has been left blank intentionally

**The Committee expresses its appreciation to the  
following supporters who have donated  
cash and/or trophies**

<b>A H Armstrong &amp; Co</b>	<b>Killarney Co-op</b>
<b>D &amp; R Amos</b>	<b>Kyogle Council Mayor</b>
<b>R &amp; L Amos</b>	<b>Lindesay View Limousin Stud T &amp; W McCormack</b>
<b>APL SummerCo</b>	<b>Brian McFarlane</b>
<b>Askew family</b>	<b>Paul &amp; Michelle Malt</b>
<b>Beacom family</b>	<b>MJS Tipping</b>
<b>Big Sky Alpacas</b>	<b>MPulse PEMF Therapy</b>
<b>Bonalbo Bowling &amp; Recreation Club</b>	<b>Norco Rural Casino</b>
<b>Bonalbo Show Catering Committee</b>	<b>North Coast Tack Shop</b>
<b>Bonalbo Uniting Church</b>	<b>Nutrien Ag Solutions Casino</b>
<b>Casino Food Company</b>	<b>Old Bonalbo Craft Group</b>
<b>Champions Choice Browbands</b>	<b>Pezzutti Family</b>
<b>Rob Allan Chiropractor</b>	<b>Pinkertons Casino</b>
<b>Culmaran Pines</b>	<b>Pocupar Poll Herefords</b>
<b>Simmental/Fleckvieh Stud</b>	<b>Mrs E Ramsay</b>
<b>Devantier Family</b>	<b>Ramsey &amp; Bulmer Livestock</b>
<b>FoodWorks Bonalbo</b>	<b>Ramsey family Casino</b>
<b>Gambley Family</b>	<b>Ray White Casino &amp; Kyogle</b>
<b>Mrs Kath Gambley</b>	<b>Riverina Stock Feeds</b>
<b>George &amp; Fuhrmann</b>	<b>Malcolm Searle</b>
<b>Horseland Lismore</b>	<b>Short Family</b>
<b>JHG Civil</b>	<b>Stonebridge Droughtmasters</b>
<b>Donald &amp; Elizabeth Johnston</b>	<b>Tookawhile Charolais and Show Steers</b>
<b>Lindsay &amp; Debbie Johnston</b>	<b>Dave and Sharon Tucker</b>
<b>Killarney Vet Surgery</b>	<b>Mrs Waller &amp; Family</b>

# Ramsey & Bulmer

**Licensed Auctioneers and Livestock Agents**

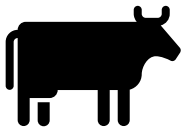
**ABN 35 978 685 118**

92 Walker St, Casino NSW 2470. P O Box 1222, Casino NSW 2470

Phone (02) 66626662

[admin@ramseybulmer.com.au](mailto:admin@ramseybulmer.com.au), [office@ramseybulmer.com.au](mailto:office@ramseybulmer.com.au)

***Licensed Local Livestock, Stock & Station Auctioneers  
offering expert marketing advice to the livestock  
producers of the Northern Rivers and beyond.***



Weekly Fat Sales at Casino Selling Complex, NRLX  
February Breeder Sale  
Monthly & Fortnightly Store Sales  
Direct Consignments to Operators  
Stud Sales & Clearing Sales  
Auctions Plus + other online selling platforms

For weekly market reports and forthcoming sale information visit –



[www.ramseybulmer.com.au](http://www.ramseybulmer.com.au)



Ramsey & Bulmer

***Allen Ramsey***

***Mobile: 0428 664 927***

***Wayne Bulmer***

***Mobile: 0428 661 167***

***Steve Davis***

***Mobile: 0429 623 066***